

- Required:** SimplLED Light Body P/N: LED-SMP (4.5W/ft.)
DC Power Supply P/N: DC-ELT60-CON (60W)
- Optional:** Motion Sensor P/N: LED-SMPMOT
Photo/Light Sensor P/N: LED-SMPPHOTO
Touch Dimmer Sensor P/N: LED-SMPTD4 (4-Step)
See other Accessories below.

Installation Instructions

SimplLED Light Series

4.5W/ft. 12VDC

U.S. PATENT PENDING

READ ALL INSTRUCTIONS BEFORE INSTALLING SYSTEM.
Before beginning installation, be sure power is turned OFF to light system.

Each SimplLED Light comes with (3) **Diffusers**: Clear, Frosted or Milk/Opal. Select one to determine the light's glare/reflection and intensity (see chart).

Diffuser Options	Eliminate Glare/Reflection	Intensity (Lumen Output)
Clear	No reduction	Best
Frosted	Good	Better
Milk/Opal	Best	Good

(3) **Inline Control Modules** are offered as an option to turn the light on/off: a Motion Sensor, a Photo/Light Sensor or a Touch Dimmer (4-step), all rated at 27W max. load (equal to 6' of SimplLED).

To begin installation, roughly lay out lighting system to help verify final positioning of all components and cord lengths.

1. Install **60W DC Power Supply** with **Mounting Block** concealed from view. Do not plug Power Cord into 120V power source yet (see #1).
2. Determine exact position of Light Fixture(s) and, if desired, an optional **Control Module** (see #2). Use **H-Connectors** to link ALL components (see #3).

Note: Control Module must be placed prior to the SimplLED Light on the input side!

3. SimplLED can be installed two ways: (a) using **U Clips**; or (b) through **screw holes** provided at either end of Light Fixture. Drill 1.5mm (1/16") pilot holes for screws (provided) (see #4).
4. Use a **Starter Cord** to link Mounting Block to first Light (see #5). See "Connecting Starter Cords" information below (†). If spacing is more than 2m (79"), an **Extension Cord** may be used.

Note: Maximum length of Starter Cords from Power Supply to light should not exceed 5m (16'). Longer cords could result in poor light quality.

5. Light Fixtures can be linked together using a **SimplLED Link Cord** (see Accessories), or can be linked directly, light-to-light without a cord. (see #6)

Note: Maximum continuous run is 3.0m (10') to prevent voltage drop. Maximum 4.0m (13') per 60W Power Supply.

6. Cords can either: (a) feed through a hole in mounting surface (shelf); or (b) run along surface. **Starter Cord** only requires 5mm (3/16") hole (before AMP® Connector is attached). **Link Cord** requires 22mm (7/8") hole (see #7a & #7b).
7. Continue mounting Light Fixtures as needed, connecting light-to-light or using Link Cords. Additional light runs can be connected to the Mounting Block.

Note: Use insulated staples or plastic ties to secure all loose wires.

8. **To install Diffuser:** start at one end and lightly push down Diffuser, working down length of fixture (like a Ziploc® bag).
To remove Diffuser: flip fixture over, lightly push through a screw hole (use thin screwdriver, etc.), then peel back Diffuser (like a Ziploc® bag), but DO NOT lift too high or Diffuser will crack!

9. Finally, plug Power Cord into 120V power source.

(†) Connecting Starter Cords:

Starter Cords come with a male AMP® Connector unattached to help route wires through smaller holes if needed. To attach, push needle ends of Starter Cord wires into AMP® Connector until completely seated.
IMPORTANT! Make sure to match polarity (+) and (-) of the wires to the AMP® connector. See markings on wires and connector (see #8).

Required:

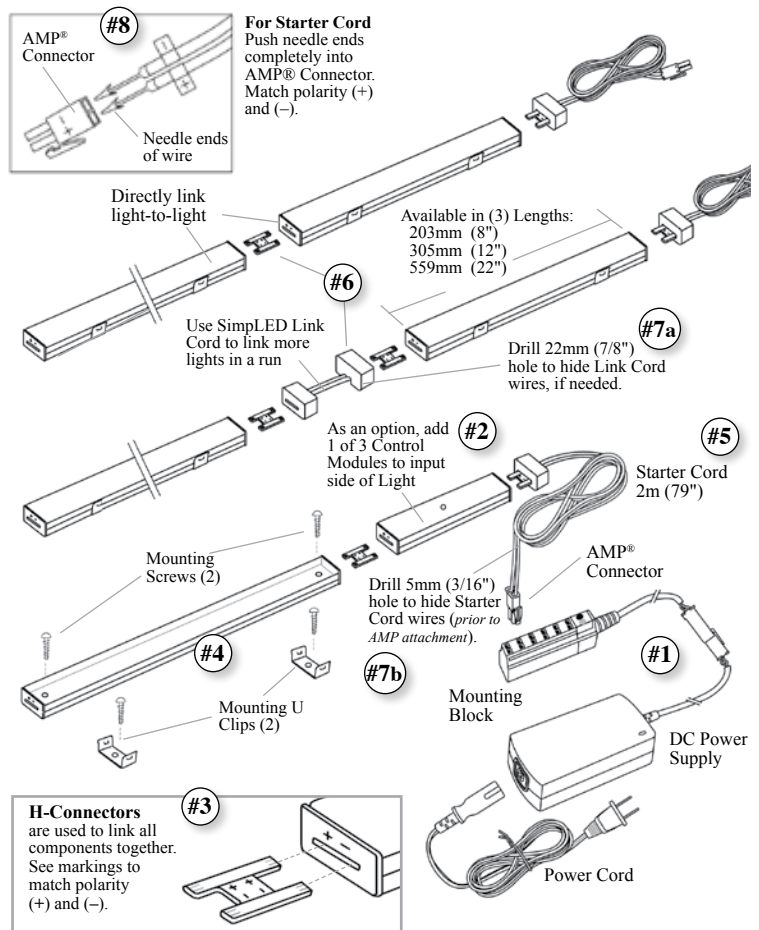
DC Power Supply 60W 12VDC (P/N: DC-ELT60-CON) – powers up to 4.0m (13') of light fixtures; maximum single continuous run should not exceed 3.0m (10'). Mounting Block and Power Cord are included with each Power Supply.
Starter Cord 2m (79"), **AMP® Connector**, (1) **H-Connector**, and (2) **Mounting U Clips** are included with each Light.

Accessories:

SimplLED Link Cord (P/N: LED-SMPLNK) – available in 5cm (2"), 15cm (6"), 25cm (10"), 60cm (24"), 120cm (48"), or 180cm (72") lengths.

TRESCO® offers other accessories including: **Switches, Dimmers, H-Connectors**, and **Extension Cords** (used to lengthen Starter Cords only).

Save these instructions for future reference.
For technical assistance: 1-800-227-1171



IMPORTANT SAFETY INSTRUCTIONS

CAUTION: To reduce the risk of fire, electric shock, or injury to persons:

- Tresco® 60W DC Power Supply powers up to 4.0m (13') of SimplLED Lights; maximum single continuous run should not exceed 3.0m (10').
- LED lights are bright. Do not look directly at lights.
- Not intended for recessed installation in ceilings or soffits.
- Do not conceal 120V Power Supply Cord or power supply inside a wall, ceiling, soffit, or similar permanent structure, unless consulting a licensed electrician.
- Use only insulated staples or plastic ties to secure ALL loose cords.
- This portable lamp has a polarized plug on the Power Supply Cord (one blade is wider than the other) as a feature to reduce the risk of electric shock. This plug will fit in a polarized outlet only one way. If the plug does not fit fully in the outlet, reverse the plug. If it still does not fit, contact a qualified electrician. Never use with an extension cord unless plug can be fully inserted. Do not alter the plug.

This light is intended to be used as a cabinet light on wood, particle board or other structurally sound, heat resistant surface. Care should be taken during and after installation to avoid contact of light with wiring, cord, or any combustible material.



Tresco Lighting by Rev-A-Shelf
2409 Plantside Dr.
Jeffersontown, KY 40299



Tel: 800-227-1171
Fax: 800-841-2523

Email: cservice@trescolighting.com
Web: www.trescolighting.com