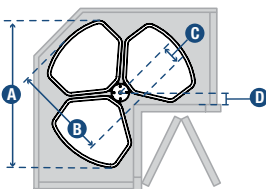




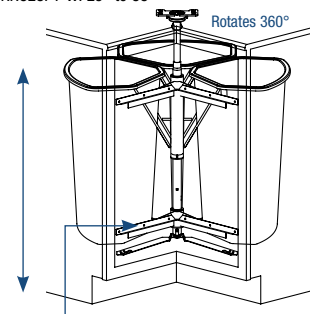
RRC28K-W

## Corner Recycling Centers

- Three removable white polymer 32 qt. bins rotate on 1" diameter post
- Designed to fit in 36" base corner cabinet



Post Height Range  
 RRC28K-W: 28-1/2" to 30-1/2"  
 RRC28PT-W: 25" to 33"



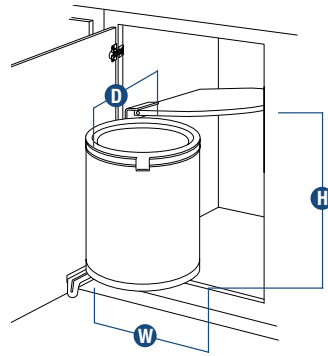
RRC28PT-W model includes hardware to mount to revolving cabinet door



TM32-W

## Pivot-Out Waste & Recycling Bin

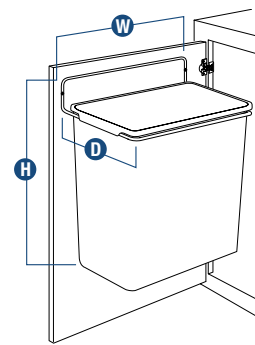
- Pivot-out waste bin with self-opening and self-closing lid
- Clamping ring holds bags securely
- Works with most face frame & frameless cabinets



DWB975-W

## Door-Mounted Waste Bin

- White polymer removable bin mounts on White frame
- Perfect for kitchens and baths
- Installs with two screws



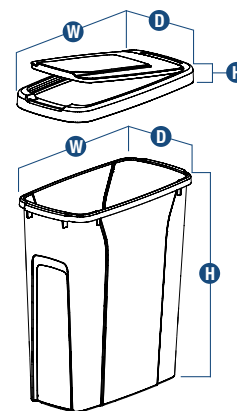
Stock #	Diameter		Assembled Product Dimensions		Finish [Hardware/Bin]	Capacity per Bin	Number of Bins	Units per Carton	Weight per Carton
	A	B	C	D					
<b>CORNER RECYCLING CENTER</b>									
RRC28K-W	27-5/8" [702 mm]	18-5/16" [465 mm]	4-1/2" [114 mm]	3-3/16" [81 mm]	Chrome/White	32 qt.	3	1	15.3 lbs. [6.9 kg.]
RRC28PT-W	27-5/8" [702 mm]	18-5/16" [465 mm]	4-1/2" [114 mm]	3-3/16" [81 mm]	Chrome/White	32 qt.	3	1	18.8 lbs. [8.5 kg.]
Stock #	Assembled Product Dimensions*			Finish	Capacity per Bin	Number of Bins	Units per Carton	Weight per Carton	
	Width W	Height H	Depth D						
<b>PIVOT-OUT WASTE &amp; RECYCLING BIN</b>									
TM32-W	13-1/2" [345 mm]	19-1/2" [495 mm]**	13" [332 mm]	White	32 qt.	1	1	6.3 lbs. [2.9 kg.]	
<b>DOOR-MOUNTED WASTE BIN</b>									
DWB975-W	9-1/2" [241 mm]	13-3/8" [340 mm]	7" [178 mm]	White/White	9 qt.	1	1	1.7 lbs. [0.8 kg.]	

\*Product dimensions include units in a fully-closed position, unless noted otherwise. \*\*Height listed is when product is in an open position.

See pages 16-17 for recommended cabinet dimensions and clearances. See page 14 for bin and lid information.

# Replacement Bins & Lids

Stock #	Dimensions			Finish	Description	Units per Carton	Weight per Carton
	Width <b>W</b>	Height** <b>H</b>	Depth <b>D</b>				
<b>BINS</b>							
QT20PB-WH	14-1/4" [362 mm]	16" [406 mm]	7-1/4" [184 mm]	White	20 qt.	6	12 lbs. [5.4 kg.]
QT20PB-PT	14-1/4" [362 mm]	16" [406 mm]	7-1/4" [184 mm]	Platinum	20 qt.	6	12 lbs. [5.4 kg.]
QT27PB-W	10-5/8" [270 mm]	17-3/4" [451 mm]	10-5/8" [270 mm]	White	27 qt.	10	17.4 lbs. [7.9 kg.]
QT27PB-PT	10-5/8" [270 mm]	17-3/4" [451 mm]	10-5/8" [270 mm]	Platinum	27 qt.	10	17.4 lbs. [7.9 kg.]
QT32PB-W	14" [356 mm]	20" [508 mm]	11-3/4" [298 mm]	White	32 qt.	1	4 lbs. [1.8 kg.]
QT35PB-WH	14-1/4" [362 mm]	17-1/2" [445 mm]	9-3/16" [233 mm]	White	35 qt.	6	14 lbs. [6.4 kg.]
QT35PB-PT	14-1/4" [362 mm]	17-1/2" [445 mm]	9-3/16" [233 mm]	Platinum	35 qt.	6	14 lbs. [6.4 kg.]
QT50PB-W	15-3/8" [391 mm]	21-3/8" [542 mm]	11-1/8" [283 mm]	White	50 qt.	8	20 lbs. [9.1 kg.]
QT50PB-P	15-3/8" [391 mm]	21-3/8" [542 mm]	11-1/8" [283 mm]	Platinum	50 qt.	8	20 lbs. [9.1 kg.]
QT60PB-W*	19-1/8" [486 mm]	19-5/8" [498 mm]	13-7/8" [352 mm]	White	60 qt.	6	19.9 lbs. [9.0 kg.]
<b>LIDS</b>							
QT20LB-WH	14-1/2" [368 mm]	**	7-7/16" [189 mm]	White	Fits 20 qt.	1	2 lbs. [0.9 kg.]
QT20LB-PT	14-1/2" [368 mm]	**	7-7/16" [189 mm]	Platinum	Fits 20 qt.	1	2 lbs. [0.9 kg.]
QT35LB-WH	14-1/2" [368 mm]	**	9-9/16" [243 mm]	White	Fits 35 qt.	1	2 lbs. [0.9 kg.]
QT35LB-PT	14-1/2" [368 mm]	**	9-9/16" [243 mm]	Platinum	Fits 35 qt.	1	2 lbs. [0.9 kg.]



\* Replacement bin for Roll-Out Plastic Hampers (PSH15-1-60-W and PDMSH15-1-60-W). See page 60 for product information.

\*\* Lid adds 3/4" to bin height.

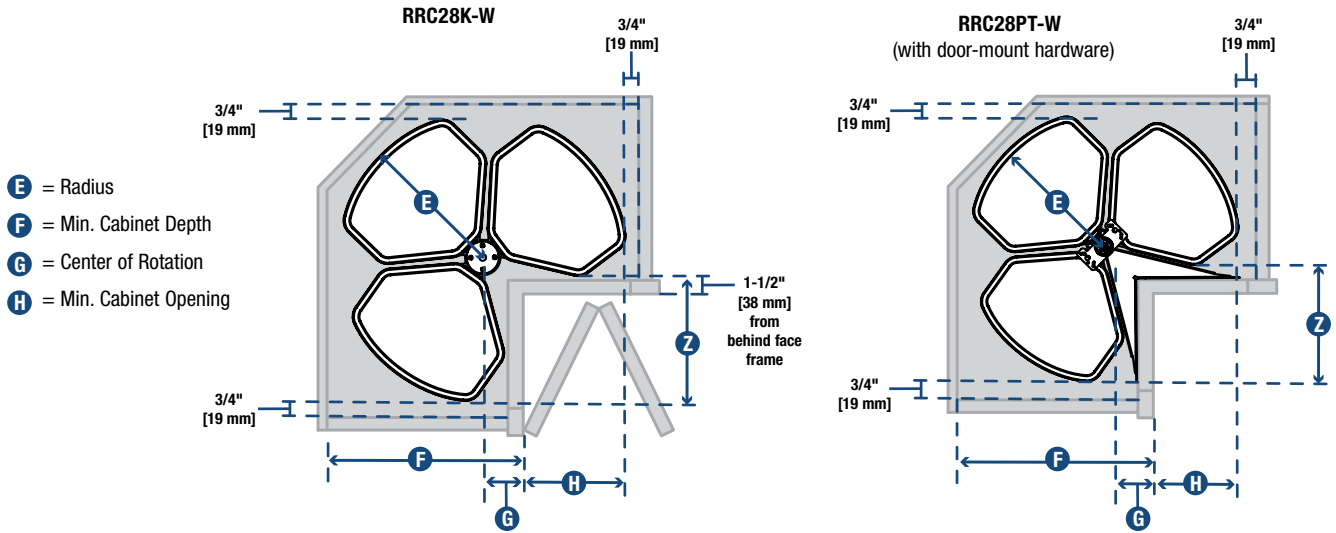
See pages 16-17 for recommended cabinet dimensions and clearances. See page 14 for bin and lid information.

Replacement Bin Chart					
PRODUCT NUMBER:	REPLACEMENT STOCK NUMBER:	PRODUCT NUMBER:	REPLACEMENT STOCK NUMBER:	PRODUCT NUMBER:	REPLACEMENT STOCK NUMBER:
SCB10-1-35WH	QT35PB-WH	PDMTM145-1-50WH	QT50PB-W	TSC15-1-35WH	QT35PB-WH
SCB10-1-35PT	QT35PB-PT	PDMTM15-2-35WH	QT35PB-WH	TSC15-1-35PT	QT35PB-PT
SCB12-1-50WH	QT50PB-W	PDMTM175-2-35WH	QT35PB-WH	TSC15-1-50WH	QT50PB-W
SCB12-1-50PT	QT50PB-P	PDMTM18-2-35WH	QT35PB-WH	TSC15-1-50PT	QT50PB-P
SCB12-2-27WH	QT27PB-W	PDMTM21-2-35WH	QT35PB-WH	TSC15-2-35WH	QT35PB-WH
SCB12-2-27PT	QT27PB-PT	SBM12-2-27WH	QT27PB-W	TSC15-2-35PT	QT35PB-PT
SCB15-1-20WH	QT20PB-WH	SBM24-4-27WH	QT27PB-W	TSC18-2-35WH	QT35PB-WH
SCB15-1-20PT	QT20PB-PT	SBM10-1-35WH	QT35PB-WH	TSC18-2-35PT	QT35PB-PT
SCB15-2-20WH	QT20PB-WH	SBM12-1-50WH	QT50PB-W	USC12-1-35WH	QT35PB-WH
SCB15-2-20PT	QT20PB-PT	SBM15-1-20WH	QT20PB-WH	USC12-1-35PT	QT35PB-PT
SCB15-2-35WH	QT35PB-WH	SBM15-1-35WH	QT35PB-WH	USC12-1-50WH	QT50PB-W
SCB15-2-35PT	QT35PB-PT	SBM15-2-20WH	QT20PB-WH	USC12-1-50PT	QT50PB-PT
SCB15-3-20WH	QT20PB-WH	SBM15-2-35WH	QT35PB-WH	USC12-2-27WH	QT27PB-W
SCB15-3-20PT	QT20PB-PT	SBM15-3-20WH	QT20PB-WH	USC12-2-27PT	QT27PB-PT
SCB24-4-27WH	QT27PB-W	SBM9-1-20WH	QT20PB-WH	USC15-2-35WH	QT35PB-WH
SCB24-4-27PT	QT27PB-PT	RRC28K-W	QT32PB-W	USC15-2-35PT	QT35PB-PT
SCB9-1-20PT	QT20PB-PT	RRC28PT-W	QT32PB-W	USC18-2-50WH	QT50PB-WH
SCB9-1-20WH	QT20PB-WH	TSC12-1-35WH	QT35PB-WH	USC18-2-50PT	QT50PB-PT
PDMTM115-1-35WH	QT35PB-WH	TSC12-1-35PT	QT35PB-PT	PDMSH15-1-60-W	QT60PB-W
PDMTM12-1-35WH	QT35PB-WH			PSH15-1-60-W	QT60PB-W

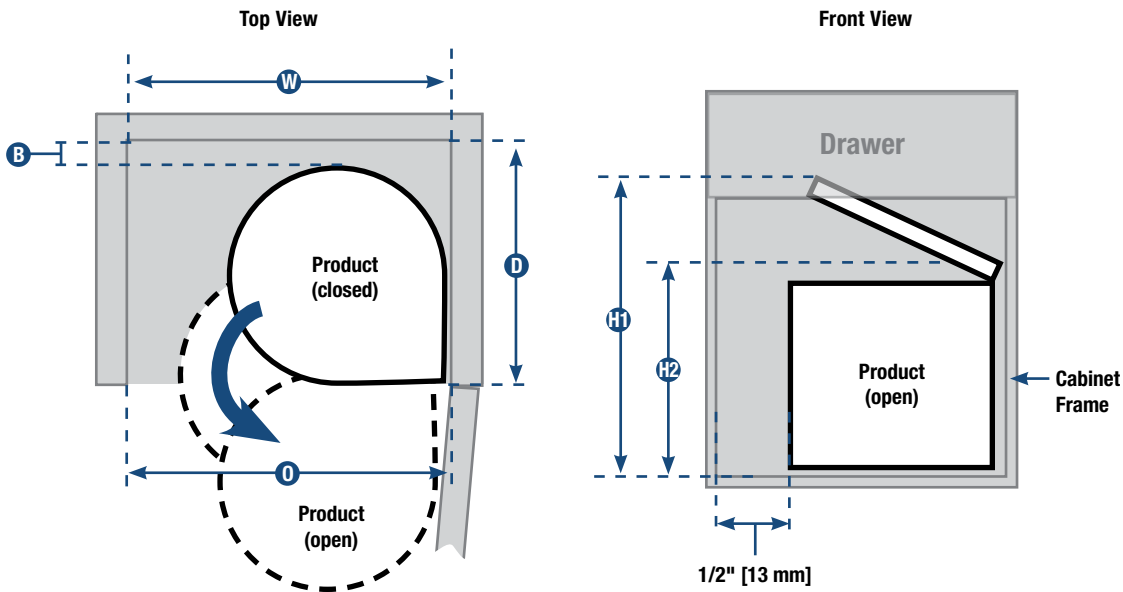


# Cabinet Dimensions

Stock #	E	F	G	H	Z	Mounting
<b>CORNER RECYCLING CENTERS</b>						
RRC28K-W	13-13/16" [351 mm]	18-1/2" [470 mm]	3-15/16" [100 mm]	9-7/8" [251 mm]	12-1/8" [308 mm]	Top/Bottom
RRC28PT-W	13-13/16" [351 mm]	18-1/2" [470 mm]	3-15/16" [100 mm]	9-7/8" [251 mm]	12-1/8" [308 mm]	Top/Bottom



Stock #	Min. Cabinet Opening Width <b>O</b>	Minimum Interior Cabinet Dimensions			Minimum Cabinet Clearances Back <b>B</b>	
		Width <b>W</b>	Height* <b>H1</b>	Height* <b>H2</b>		Depth <b>D</b>
<b>PIVOT-OUT WASTE &amp; RECYCLING BINS</b>						
TM32-W	16-7/16" [418 mm]	16-7/16" [418 mm]	19-1/2" [495 mm]	17-3/4" [451 mm]	13-1/2" [343 mm]	1/2" [13 mm]



\*H1 represents minimum interior height with lid in fully open position. H2 represents minimum cabinet opening height with lid in fully open position. Dimensions shown are recommended minimum cabinet dimensions and clearances.

See pages 16-17 for recommended cabinet dimensions and clearances. See page 14 for bin and lid information.