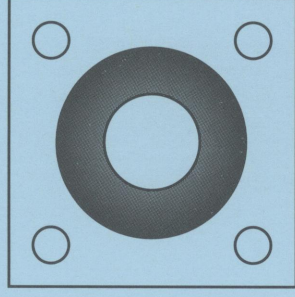




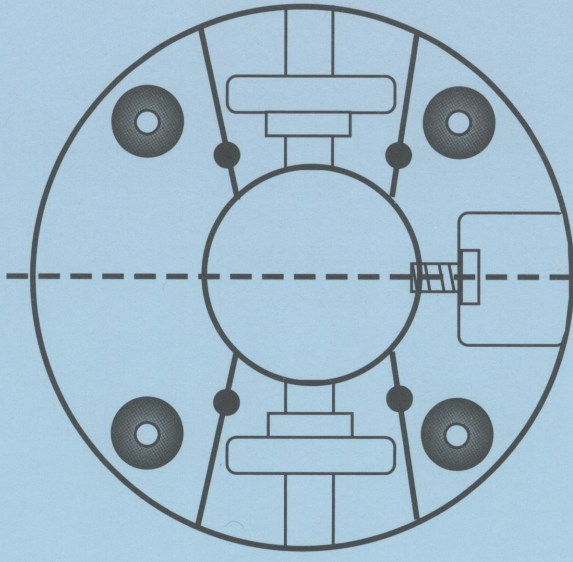
# REV-A-SHELF REVOLVING 31" D-SHAPE WOOD TRAY INSTRUCTIONS

- 1) Locate center line of cabinet opening for both top and bottom.
- 2) Place tray on bottom of cabinet with tray center line aligned with cabinet opening center line and front edge of tray aligned with front of cabinet allowing enough clearance to allow tray to rotate freely.
- 3) Take a pencil, place it into the center hub and mark a circle on the cabinet floor. Remove the tray and position the bottom mounting bracket on this circle.
- 4) Spot mounting holes.
  - a) Pre-drill with 1/8" (max.) diameter drill.
  - b) Install positioner base with shaft locking screws to front of cabinet, and wheel axle parallel to cabinet opening.
- 5) Repeat step (2) for top of cabinet and install upper pivot support.

Top Bracket

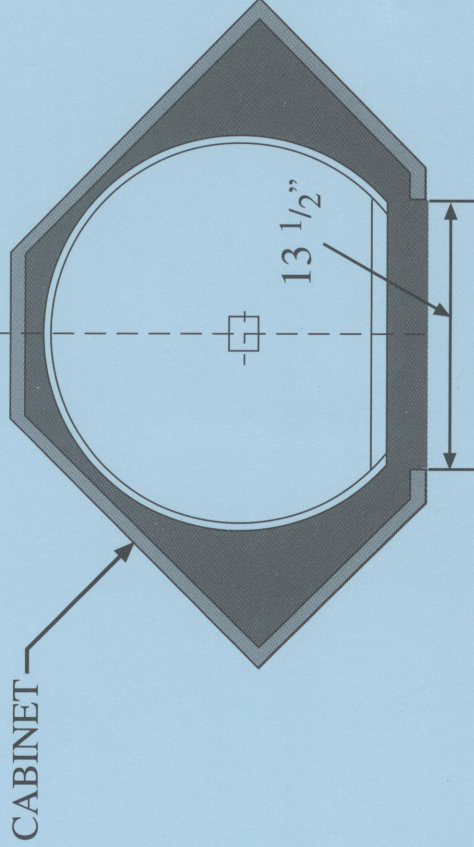


Bottom Bracket

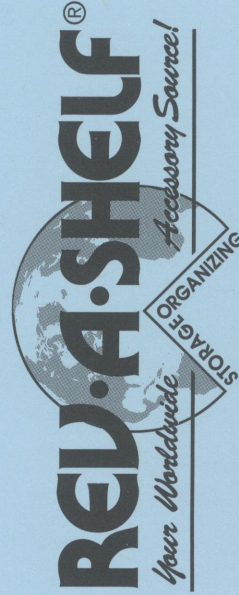


Front of Cabinet

CABINET  
CENTER LINE



NOTE: LOCATIONS GIVEN PROVIDES PROPER  
CLEARANCE FROM BACK OF CABINET



P.O. BOX 99585 • JEFFERSONSONTOWN, KY 40299  
502-499-5835 • FAX 502-491-2215