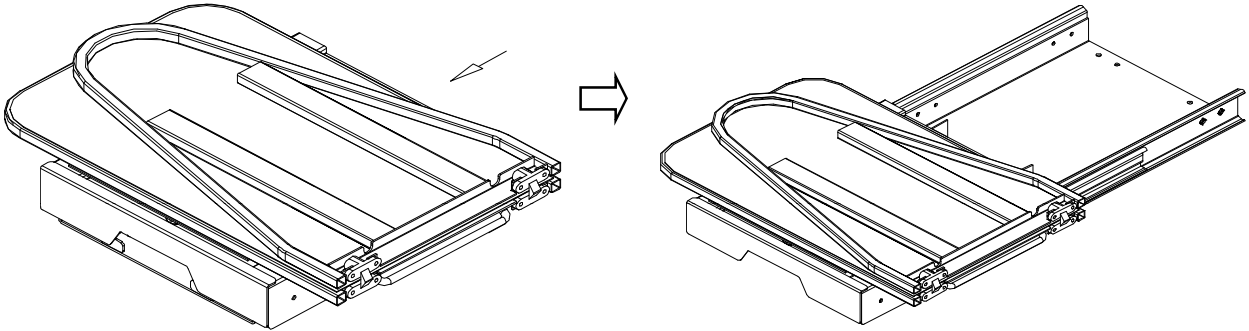


# INSTALLATION INSTRUCTIONS

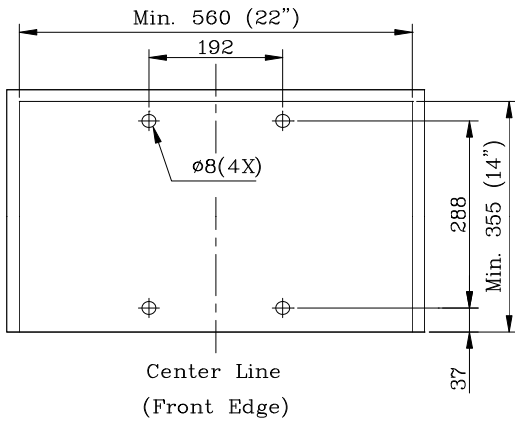
## FOR ROTATING IRONING BOARD S08560 (Using machine screws)

Step 1:

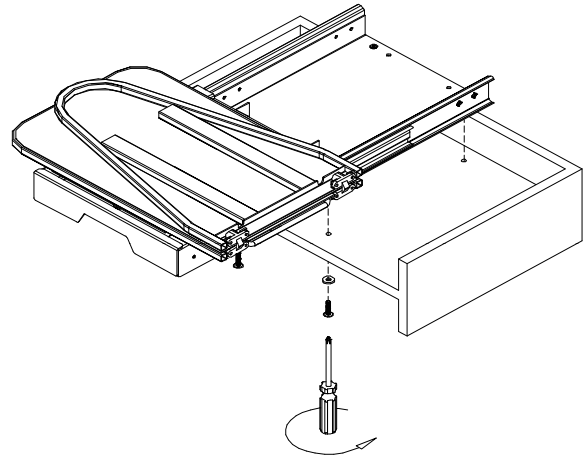


Step 2: Step 2: Drill through four 8mm holes.

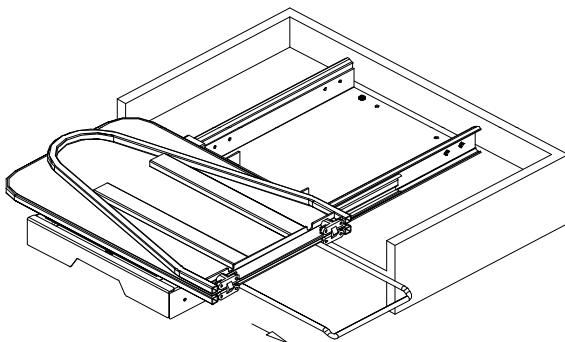
(Bottom Board)



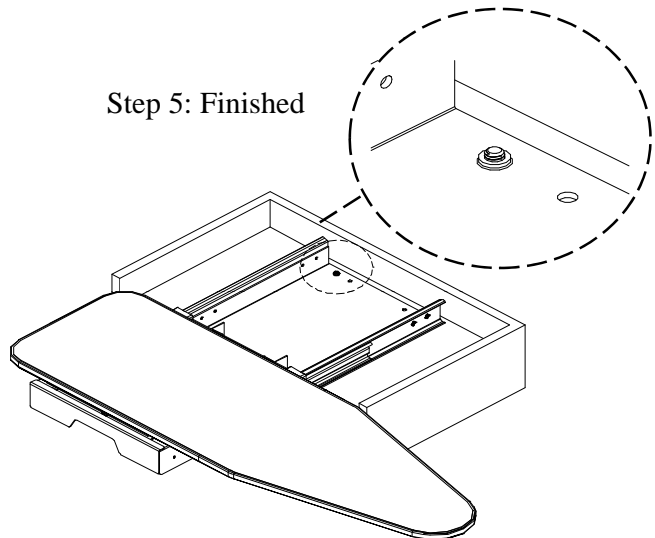
Step 3:


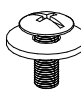


Step 4: Pull out support wire rack.



Step 5: Finished



Wood Screw		Machine Screw	
	8pcs		4pcs



12400 Earl Jones Way

Louisville, KY 40299

rev-a-shelf.com

Customer Service: 800-626-1126