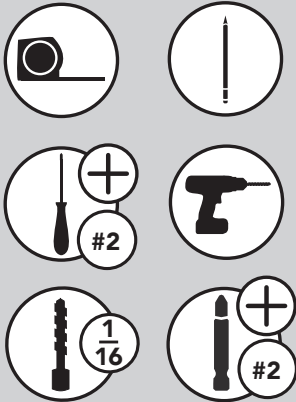


INSTALLATION INSTRUCTIONS

53PSPE SOFT-CLOSE ELITE BLIND CORNER OPTIMIZER

TOOLS REQUIRED:



ESTIMATED ASSEMBLY TIME:

45 MIN

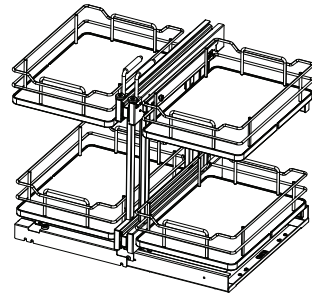
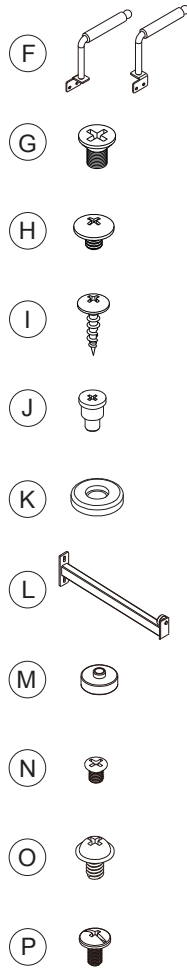
CARE AND MAINTENANCE:

Clean with a damp cloth and wipe parts dry.

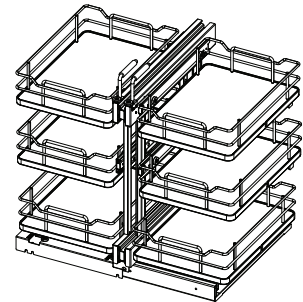
INSTALLATION OPTIONS

Blind Right/Left Door
Application page 2

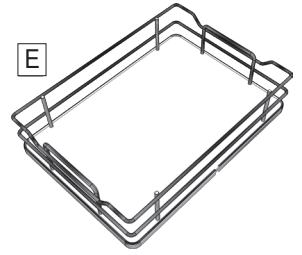
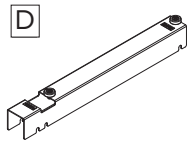
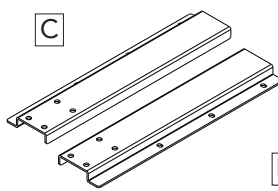
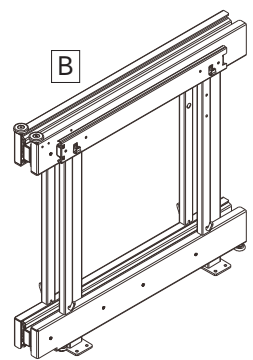
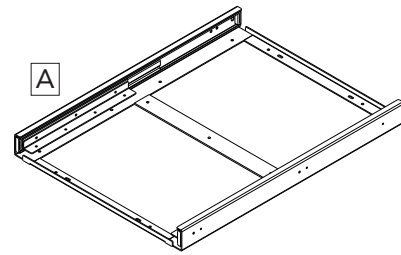
Blind Left/Right Door
Application page 6



Two-Tier (53PSPE-XX)



Three-Tier (53PSPE3-XX)



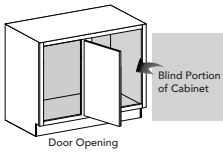
UNIT PARTS LIST:

Item #	Description	QTY
A	Base	1
B	Frame	1
C	Feet	2
D	Guide Channel	1
E	Solid Bottom Trays	4 or 6

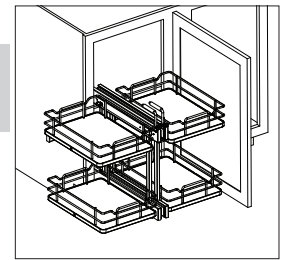
HARDWARE PARTS LIST:

Item #	Description	QTY
F	Handles L/R	2
G	M6 x 10 mm Wafer Head Screws	8
H	M5 x 6 mm Flat-Head Screws	8
I	5/32 x 18 mm Wood Screws	19
J	Shoulder Bolts	2
K	Top Wheels	2
L	Arms	2 or 4
M	Shelf Retainers	4 or 8
N	M4 Countersunk Flat-Head Screws	4
O	M5 Phillips Round Washer Head Screws	4 or 8
P	M4 Truss Head Phillips/Slotted Screws	4 or 8



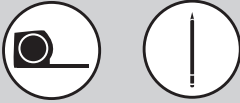


53PSPE (BLIND RIGHT/LEFT DOOR)



STEP 1

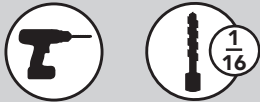
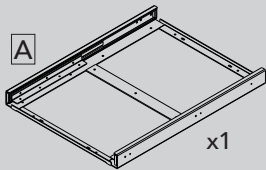
Confirm the size of your cabinet and measure to find your first base hole location.



STEP 2

Align the Base (A) over the marked base hole location from Step 1 and pre-drill the (10) mounting holes using a 1-16" drill bit ensuring the frame is straight in cabinet.

Note: "Blind" sticker on the Base (A) should be in the blind of the cabinet.



STEP 3

Secure Base (A) to the cabinet floor with (10) 5/32 x 18 mm Wood Screws (I).

Note: (8) additional screws (included) can be added for stability.

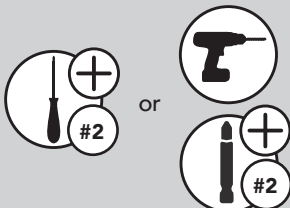
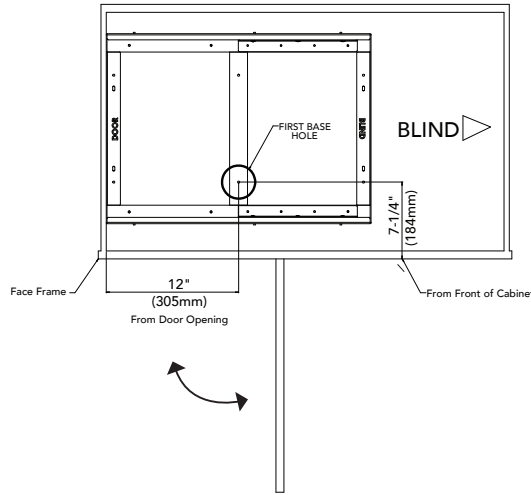


Fig A)

53PSPE-15



53PSPE-18

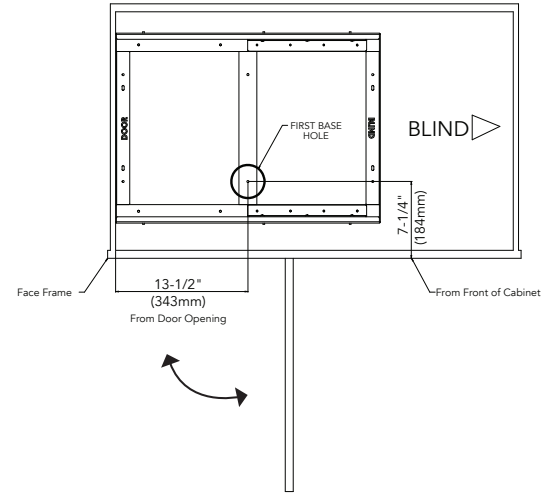


Fig B)

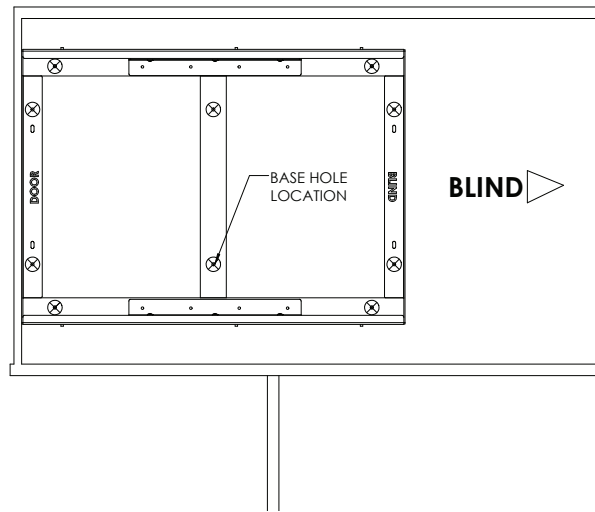
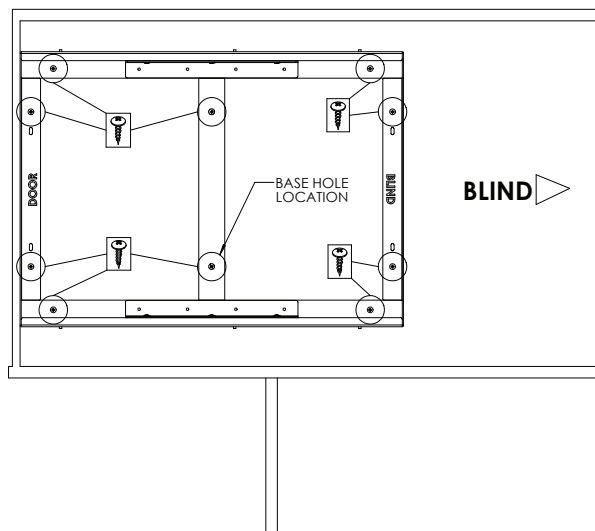


Fig C)



STEP 4

Pre-start (2) M5 x 6 mm Flat-Head Screws (H) into the front of the Base (A) and hook the rear of the Guide Channel (D) onto the screws. Once in place, tighten M5 x 6 mm Flat-Head Screws (H)

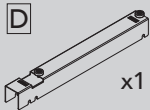
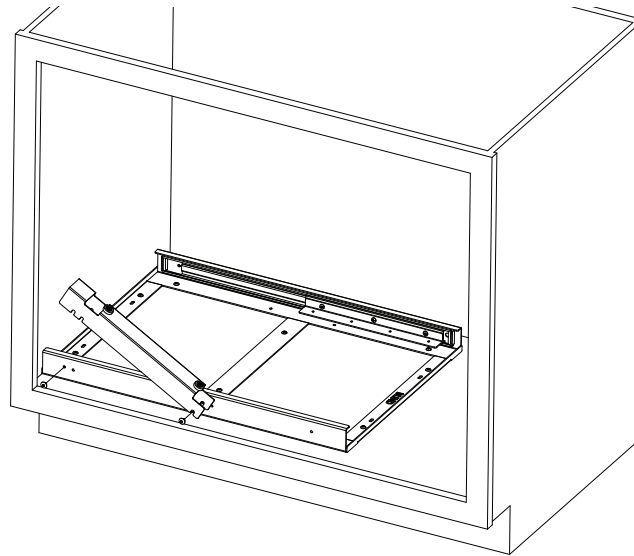


Fig D)



STEP 5

Attach the Handles (F) to the Frame (B) with (2) M4 Countersunk Flat-Head Screws (N) each.

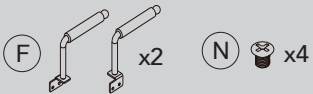
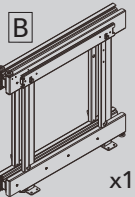
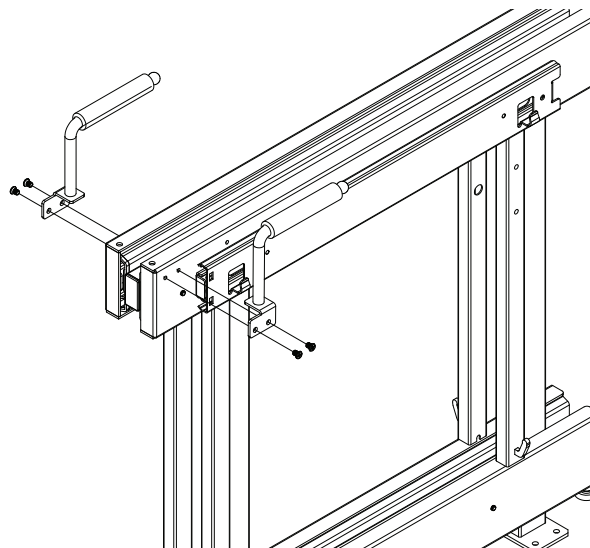


Fig E)



STEP 6

Attach Top Wheel (K) using Shoulder Bolt (J) directly in front of each Handle (F).

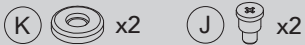
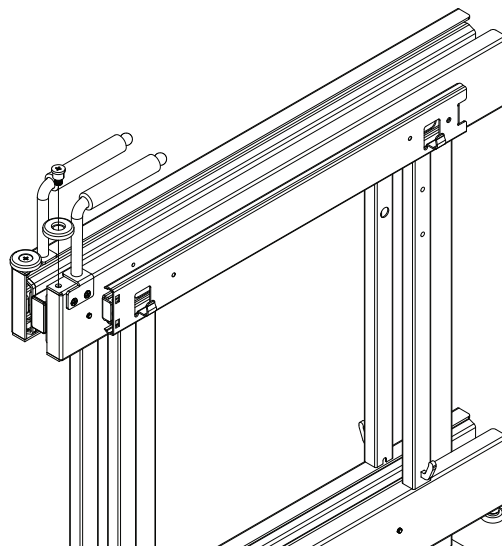


Fig F)



STEP 7

Attach the Arms (L) with (2) M5 Phillips Round Washer Head Screws (O) each.

Note: (2) Arms included with the two-tier unit and (4) Arms are included with the three-tier unit.

Note: Support arms can be adjusted up or down to level the supported shelf.

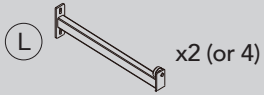
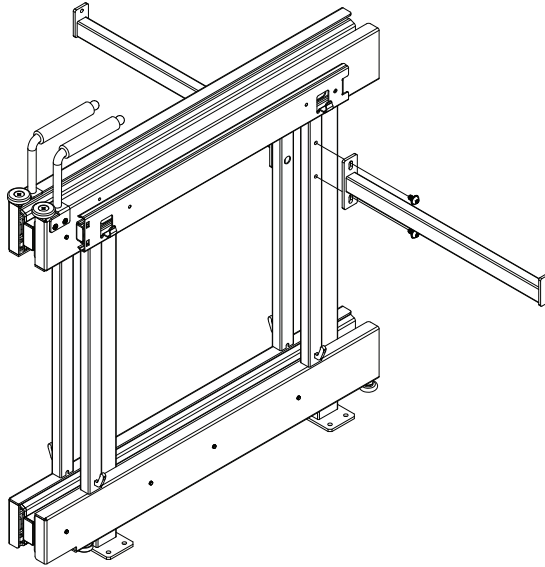


Fig G)



STEP 8

Flip Frame (B) on its back and move pre-installed left wheel to the top position as shown (Fig I) for a Blind Right/Left Door.



Fig H)

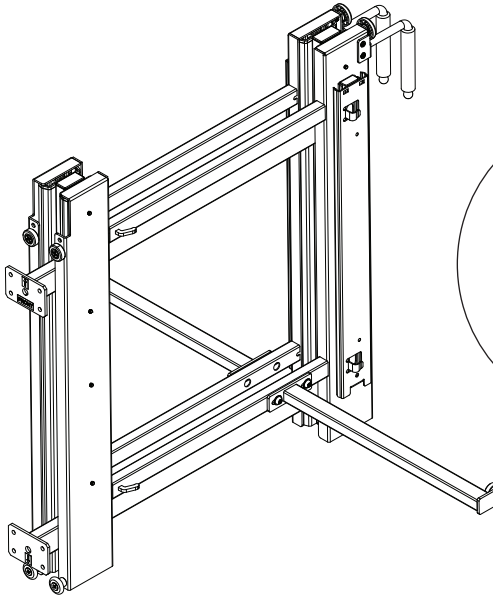
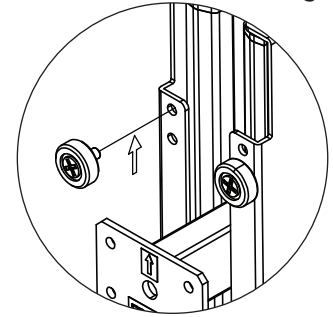


Fig I)



STEP 9

Orient the arrows on the Feet (C) and Frame (B) in the same direction and secure using (8) M6 x 10 mm Wafer Head Screws (G).

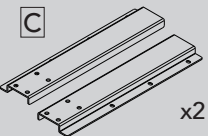


Fig J)

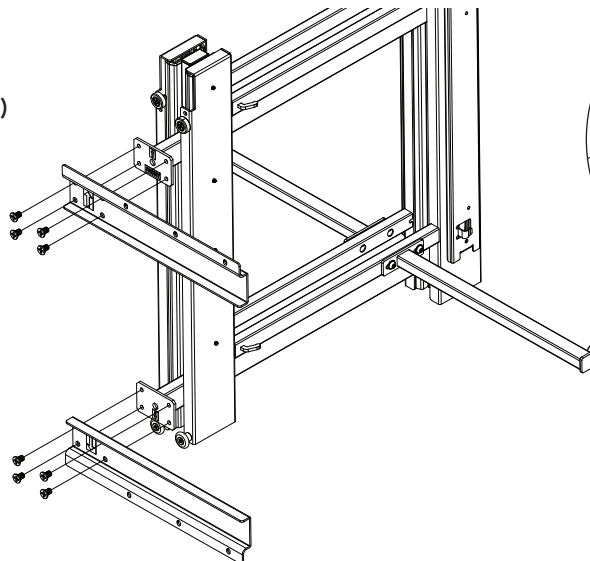
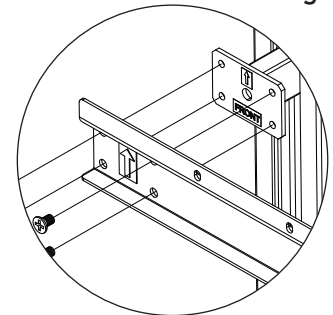


Fig K)



STEP 10

Set Frame (B) on top of Base (A) inside of the cabinet and secure the Feet (C) to the Base (A) using (6) M5 x 6 mm Flat-Head Screws (H).

(H)  x6

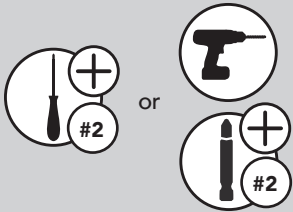
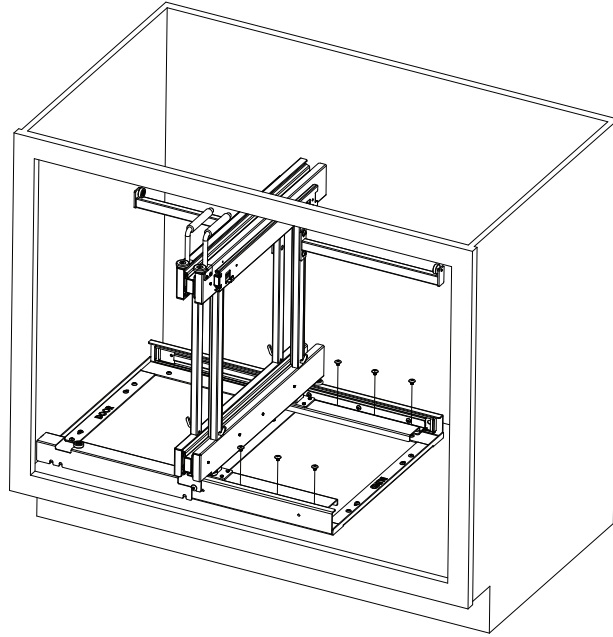


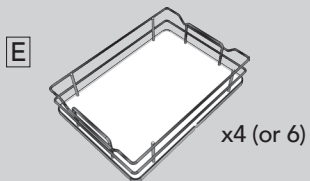
Fig L)



STEP 11

Attach Solid Bottom Trays (E) by securing on hooks directly behind the first wire, see illustration.

Secure top (and middle tier if applicable) Solid Bottom Trays (E) to the Frame (B) with (2) Shelf Retainers (M) and (2) M4 Truss Head Phillips/Slotted Screws (P).



(M)  x4 (or 8)

(P)  x4 (or 8)

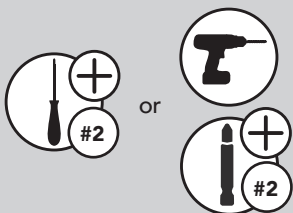
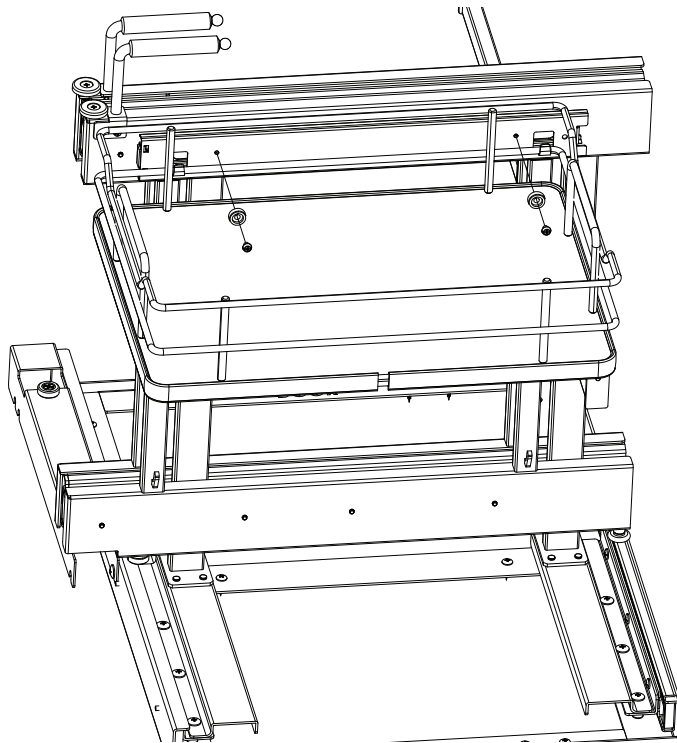
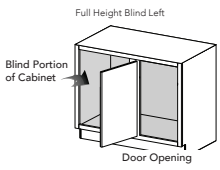
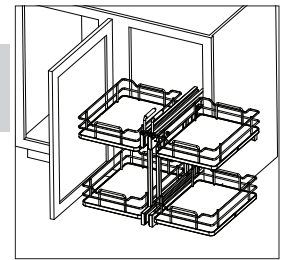


Fig M)



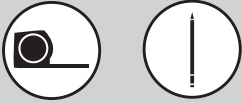


53PSPE (BLIND LEFT/RIGHT DOOR)



STEP 1

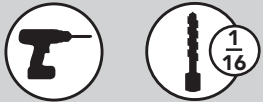
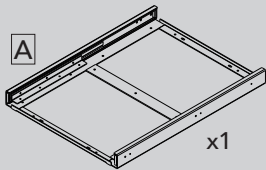
Confirm the size of your cabinet and measure to find your first base hole location.



STEP 2

Align the Base (A) over the marked base hole location from Step 1 and pre-drill the (10) mounting holes using a 1-16" drill bit ensuring the frame is straight in cabinet.

Note: "Blind" sticker on the Base (A) should be in the blind of the cabinet.



STEP 3

Secure Base (A) to the cabinet floor with (10) 5/32 x 18 mm Wood Screws (I).

Note: (8) additional screws (included) can be added for stability.

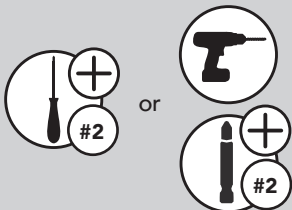
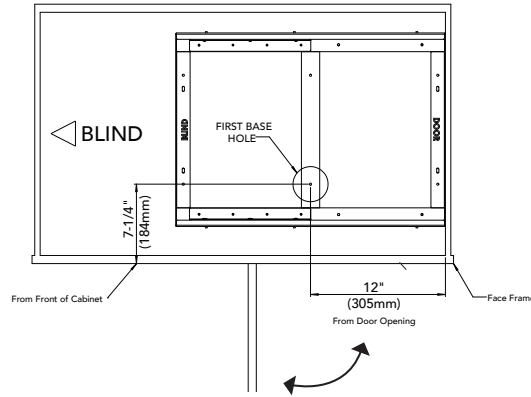


Fig A)
53PSPE-15



53PSPE-18

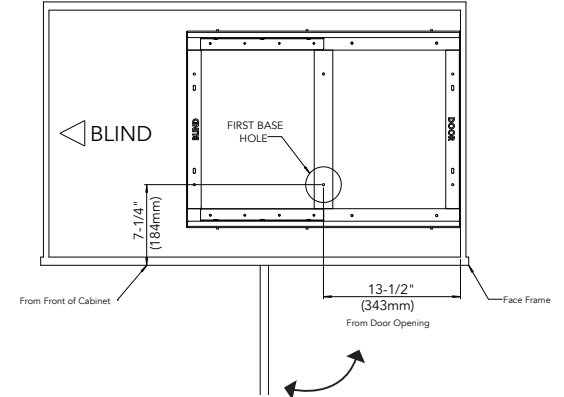


Fig B)

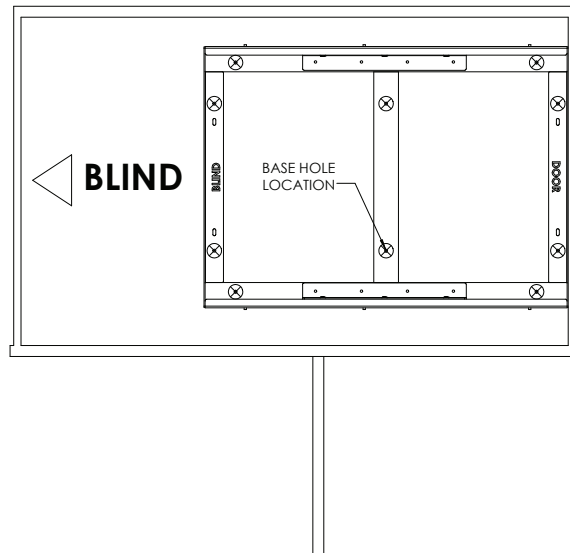
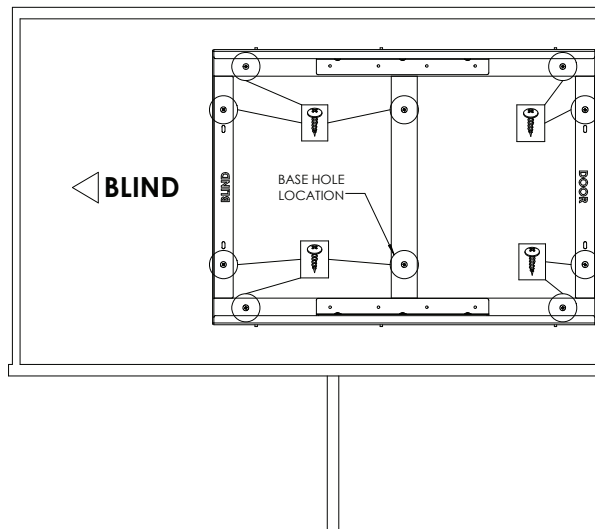


Fig C)



STEP 4

Pre-start (2) M5 x 6 mm Flat-Head Screws (H) into the front of the Base (A) and hook the rear of the Guide Channel (D) onto the screws. Once in place, tighten M5 x 6 mm Flat-Head Screws (H)

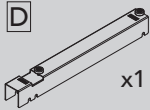
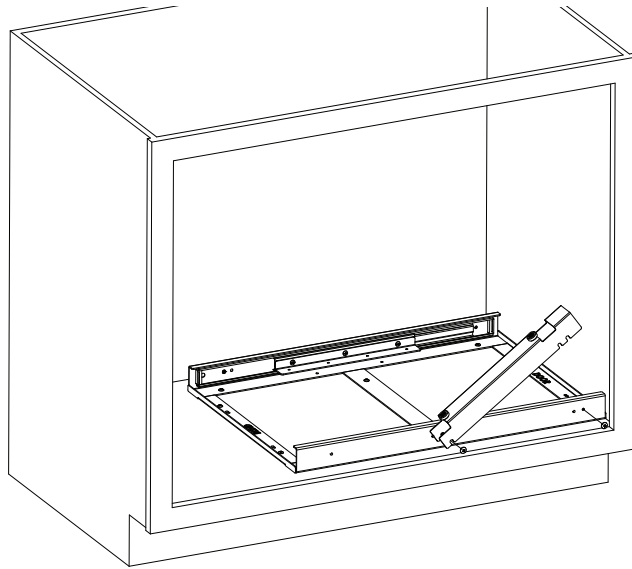


Fig D)



STEP 5

Attach the Handles (F) to the Frame (B) with (2) M4 Countersunk Flat-Head Screws (N) each.

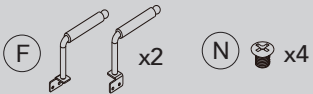
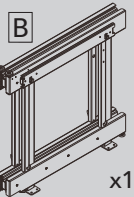
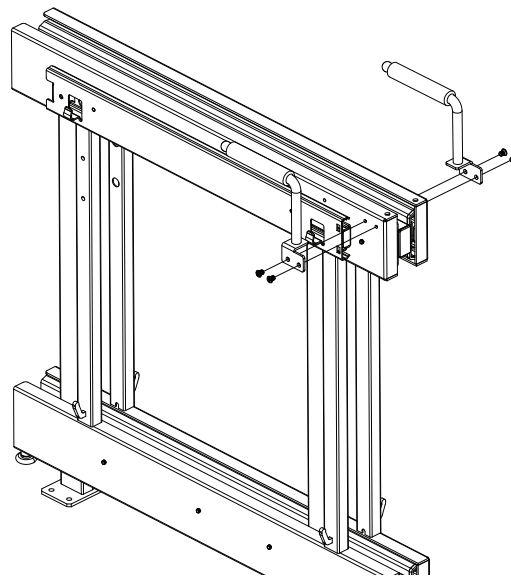


Fig E)



STEP 6

Attach Top Wheel (K) using Shoulder Bolt (J) directly in front of each Handle (F).

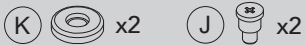
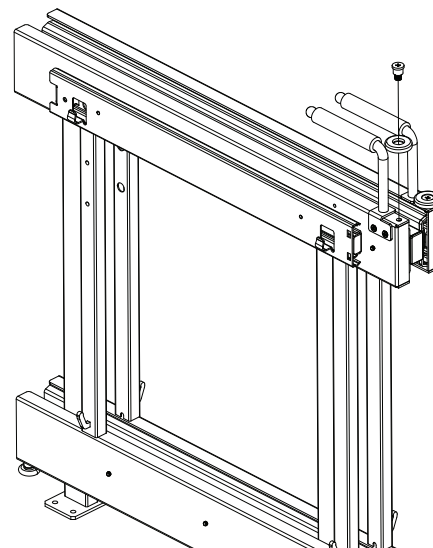


Fig F)



STEP 7

Attach the Arms (L) with (2) M5 Phillips Round Washer Head Screws (O) each.

Note: (2) Arms included with the two-tier unit and (4) Arms are included with the three-tier unit.

Note: Support arms can be adjusted up or down to level the supported shelf.

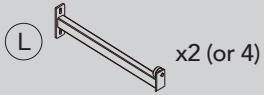
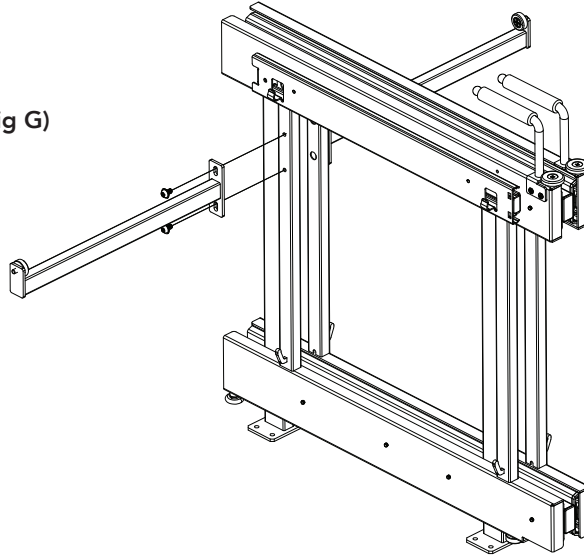


Fig G)



STEP 8

Flip Frame (B) on its back and move pre-installed right wheel to the top position as shown (Fig I) for a Blind Left/Right Door.



Fig H)

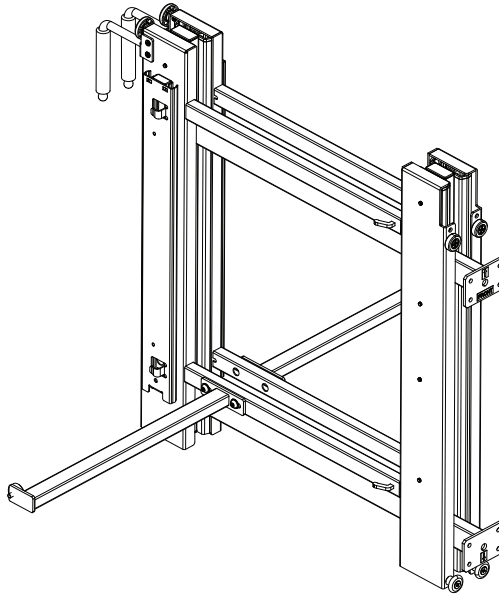


Fig I)

STEP 9

Orient the arrows on the Feet (C) and Frame (B) in the same direction and secure using (8) M6 x 10 mm Wafer Head Screws (G).

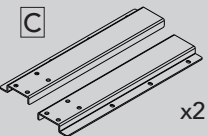


Fig J)

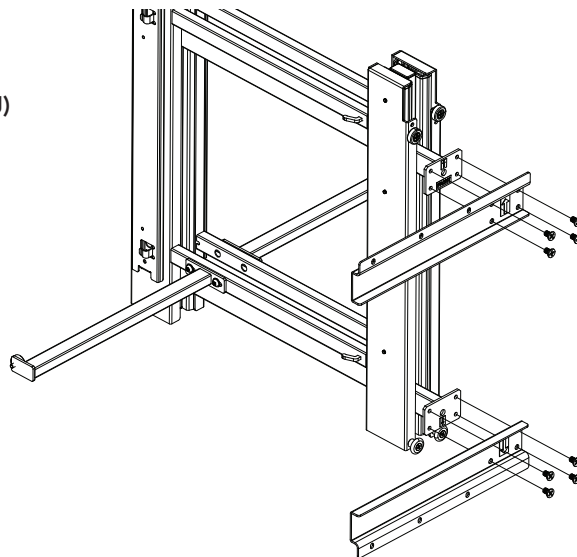


Fig K)

STEP 10

Set Frame (B) on top of Base (A) inside of the cabinet and secure the Feet (C) to the Base (A) using (6) M5 x 6 mm Flat-Head Screws (H).

(H)  x6

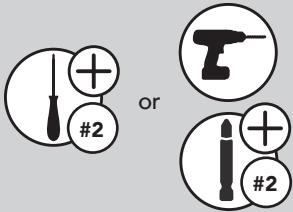
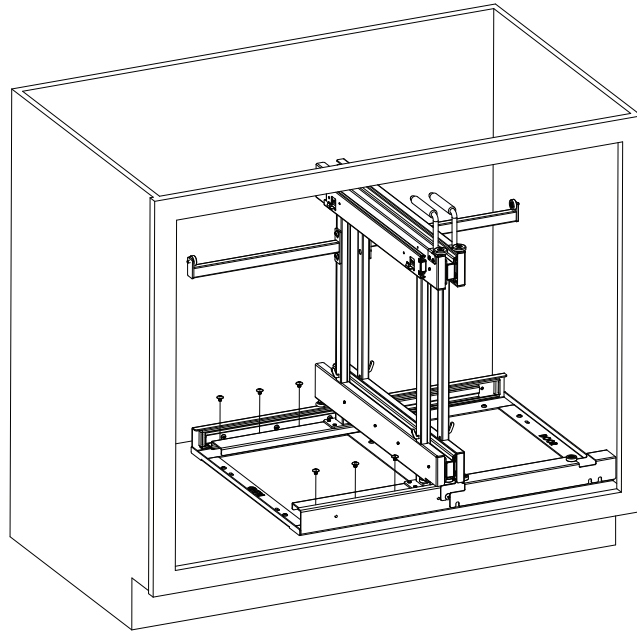


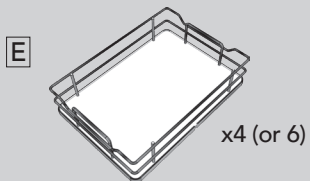
Fig L)



STEP 11

Attach Solid Bottom Trays (E) by securing on hooks directly behind the first wire, see illustration.

Secure top (and middle tier if applicable) Solid Bottom Trays (E) to the Frame (B) with (2) Shelf Retainers (M) and (2) M4 Truss Head Phillips/Slotted Screws (P).



(M)  x4 (or 8)

(P)  x4 (or 8)

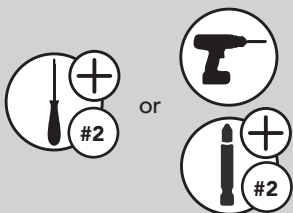


Fig M)

