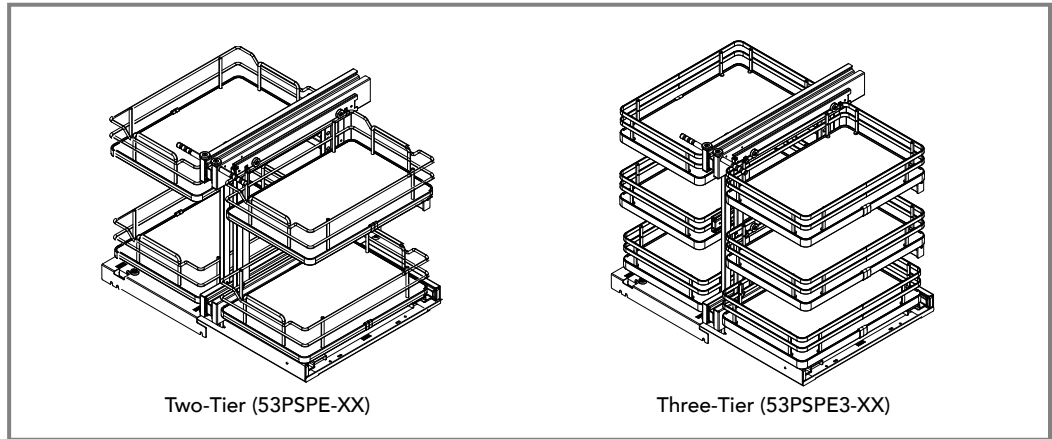
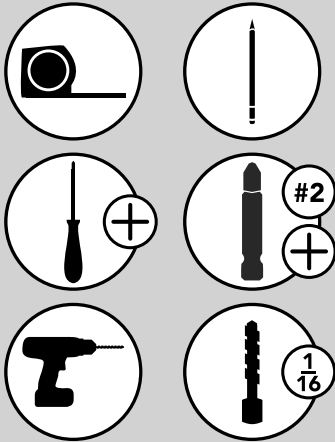


INSTALLATION INSTRUCTIONS

SOFT-CLOSE ELITE BLIND CORNER OPTIMIZER

TOOLS REQUIRED:

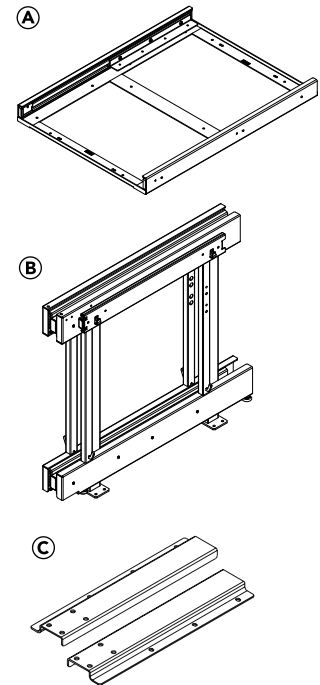


Two-Tier (53PSPE-XX)

Three-Tier (53PSPE3-XX)

PARTS LIST

No.	Description	Qty.
A	Base Unit	1
B	Frame	1
C	Feet	2
D	Guide Channel	1
E	Solid Bottom Trays	4 or 6*
F	Handles L/R	2
G	M6 x 10 mm Wafer Head Screws	8
H	M5 x 6 mm Pan Head Screws	8
I	5/32" x 18 mm Wood Screws	19
J	Shoulder Bolts	2
K	Top Wheels	2
L	Support Arms	2 or 4*
M	Shelf Retainers	4 or 8*
N	M5 Phillips Round Washer Head Screws	4 or 8*
O	M4 Truss Head Phillips/Slotted Screws	6 or 10*



CARE AND MAINTENANCE:

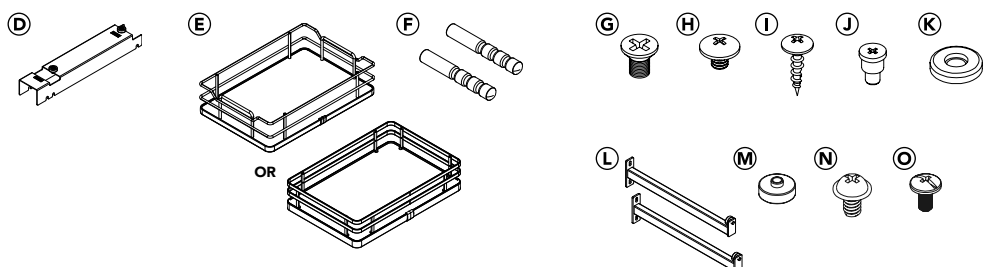
Clean with a damp cloth and wipe parts dry.

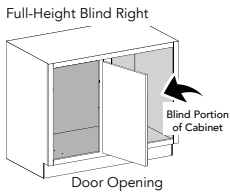
WATCH TUTORIALS OF OUR PRODUCTS BEING INSTALLED



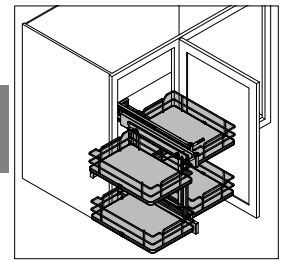
WWW.REV-A-SHELF.COM/VIDEOS

*Dependent on size purchased





53PSPE (BLIND RIGHT/LEFT DOOR)



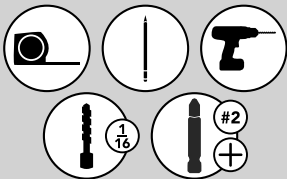
STOP!
CONFIRM YOUR ORIENTATION
BEFORE CONTINUING.
FOR BLIND LEFT/RIGHT DOOR
PLEASE GO TO PAGE 5

STEP 1

Measure to find your first base hole and mark location (See Fig. 1).
Align the Base Unit (A) over the marked base hole.

With the Base Unit (A) square to the cabinet opening; pre-drill and mount to the cabinet floor with (10) 5/32" x 18 mm Wood Screws (I) (See Fig. 2).

Note: "Blind" sticker on the Base Unit (A) should be in the blind of the cabinet.



STEP 2

Flip Frame (B) on its back and move pre-installed left wheel to the top position as shown for a Blind Right/ Left Door (See Fig. 3).



STEP 3

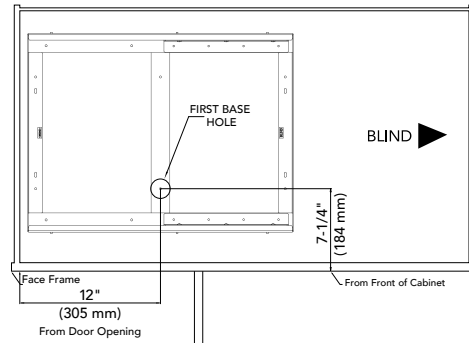
Install the Feet (C) to the Frame (B), orient the arrows on the Feet (C) and Frame (B) in the same direction and secure using (8) M6 x 10 mm Wafer Head Screws (G) (See Fig. 4).

Note: Stickers on the Feet (C) that says "Blind" and "Door". Ensure stickers face the correct way.



Fig. 1

53PSPE-15



53PSPE-18

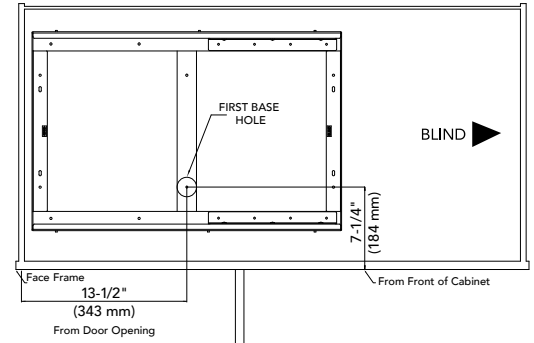


Fig. 2

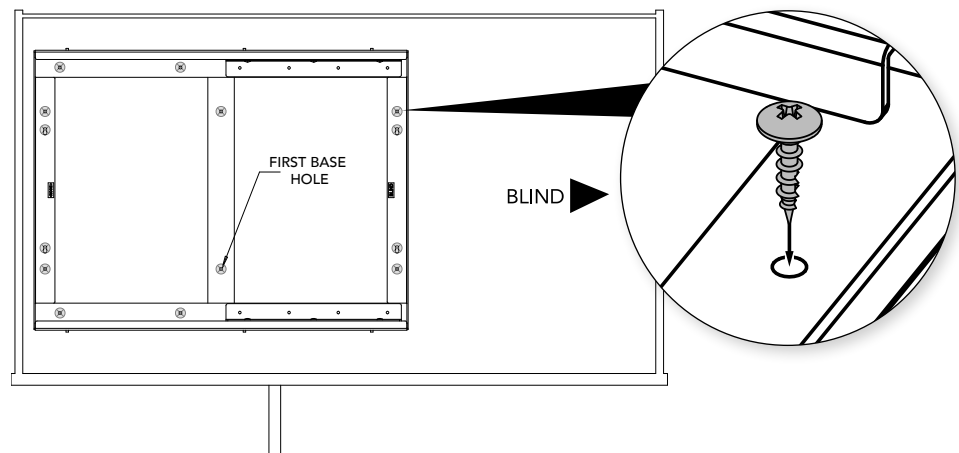


Fig. 3

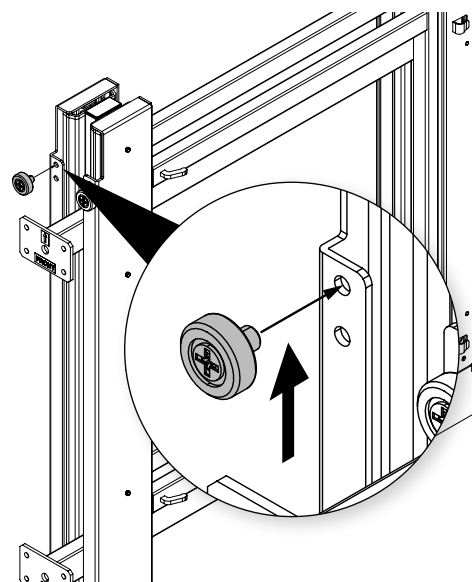
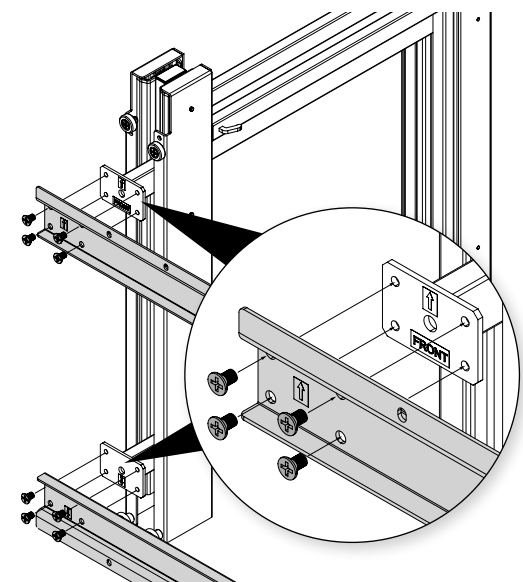


Fig. 4



STEP 4

Move the Base (A) slides to the opening. Set Frame (B) on top of Base (A) inside of the cabinet.

Secure the Feet (C) to the Base (A) using (6) M5 x 6 mm Flat Head Screws (H) (See Fig. 5).

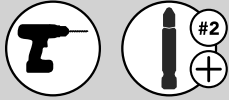
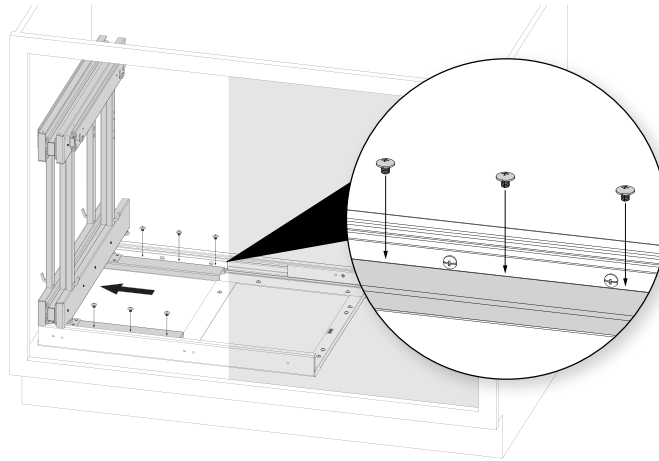


Fig. 5



STEP 5

Extend top rails of the Frame (B). Attach the Handles (F) to the first handle hole in Frame (B) with (1) M4 Truss Head Phillips/Slotted Screws (O) each (See Fig. 6).



Fig. 6

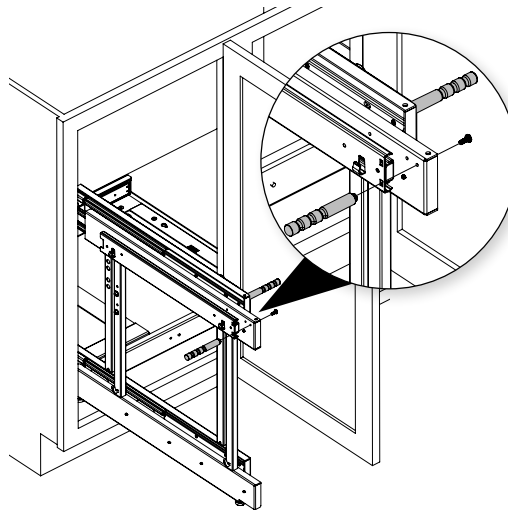
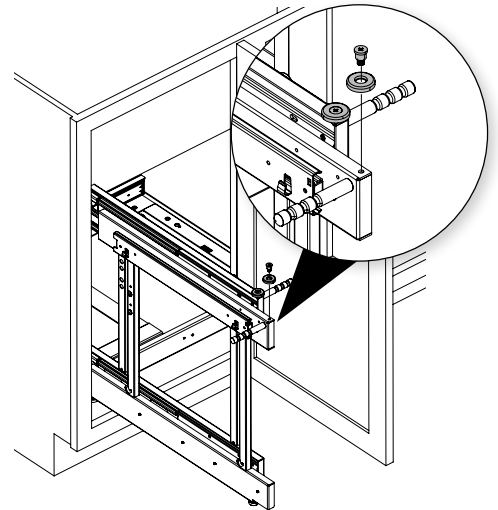


Fig. 7



STEP 6

With top rails extended, attach Top Wheels (K) using Shoulder Bolts (J) in the top of the Frame (B) (See Fig. 7).



STEP 7

Slide frame to the Blind portion of the Cabinet.

Pre-start (2) M5 x 6 mm Pan Head Screws (H) into the front of the Base (A) (See Fig. 8A).

Then, hook the Guide Channel (D) onto the screws on the front of the frame (See Fig. 8B).

Once in place, tighten the M5 x 6 mm Pan Head Screws (H).



Fig. 8A

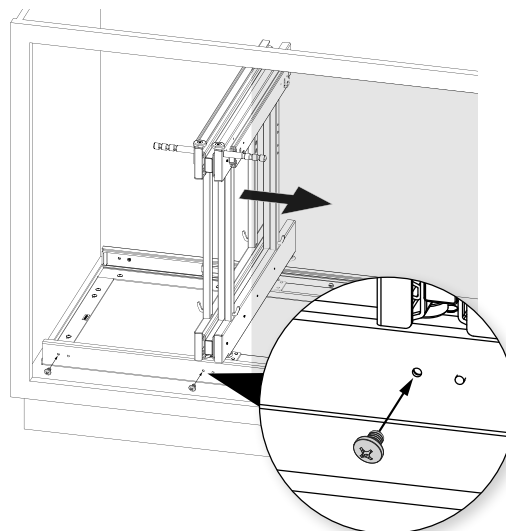
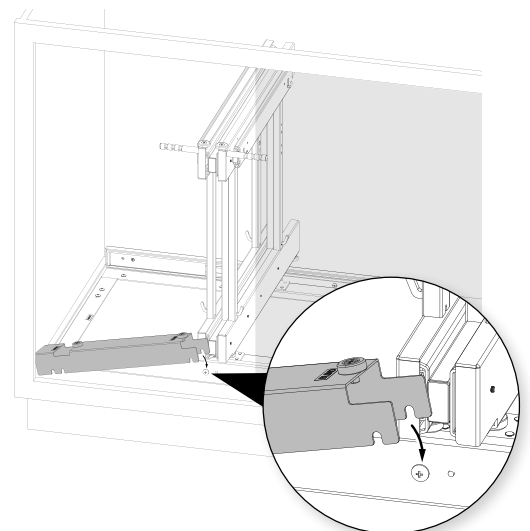


Fig. 8B



STEP 8

Attach the Support Arms (L) using (2) M5 Phillips Round Washer Head Screws (N) each (See Fig. 9).

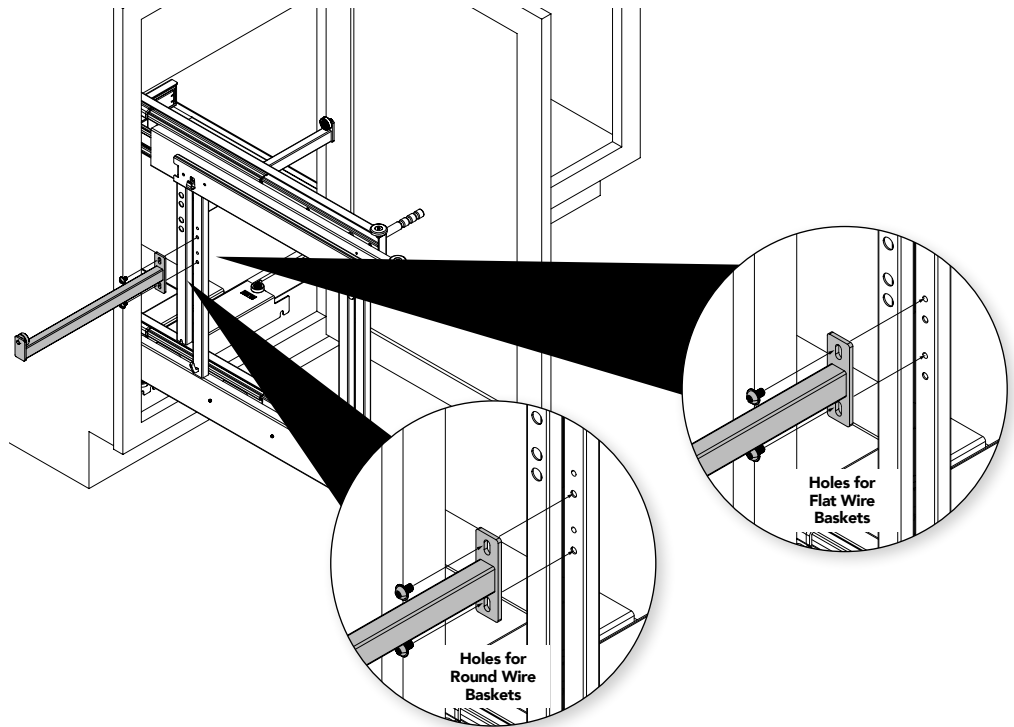
Support Arms (L) for the Round Wire Baskets (E) should be installed using the bottom two arm holes.

Support Arms (L) for the Flat Wire Baskets (E) should be installed using the top two arm holes.

Note: Support Arms (L) can be adjusted up or down to level the supported shelf.



Fig. 9



STEP 9

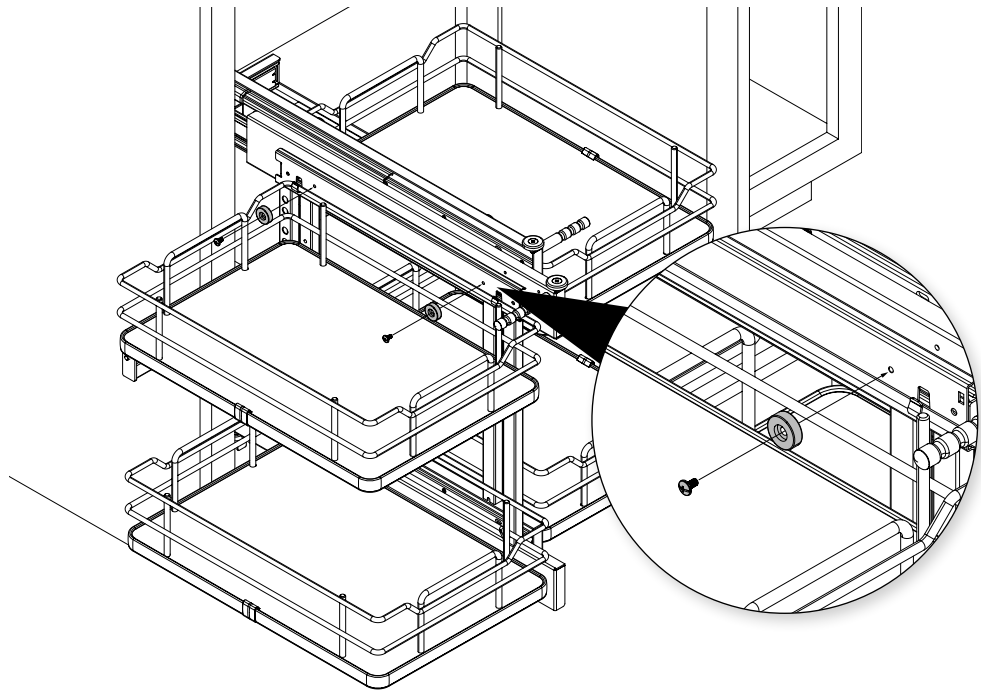
Attach Solid Bottom Trays (E) by securing them on the on hooks directly behind the first vertical wire.

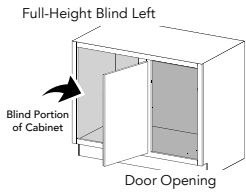
Note: For the three-tier units, secure the middle tier Solid Bottom Trays (E) by the middle wires.

Secure the top (and middle if applicable) Solid Bottom Trays (E) to the Frame (B) using (2) Shelf Retainers (M) and (2) M4 Truss Head Phillips/Slotted Screws (O) (See Fig. 10).

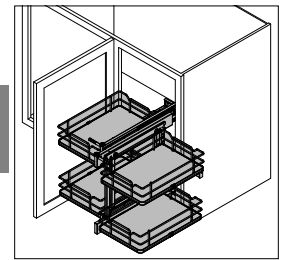


Fig. 10





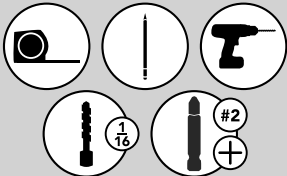
53PSPE (BLIND LEFT/RIGHT DOOR)



STEP 1

Measure to find your first base hole and mark location (See Fig. 1). Align the Base Unit (A) over the marked base hole. With the Base Unit (A) square to the cabinet opening; pre-drill and mount to the cabinet floor with (10) 5/32" x 18 mm Wood Screws (I) (See Fig. 2).

Note: "Blind" sticker on the Base Unit (A) should be in the blind of the cabinet.



STEP 2

Flip Frame (B) on its back and move pre-installed left wheel to the top position as shown for a Blind Left/right Door (See Fig. 3).



STEP 3

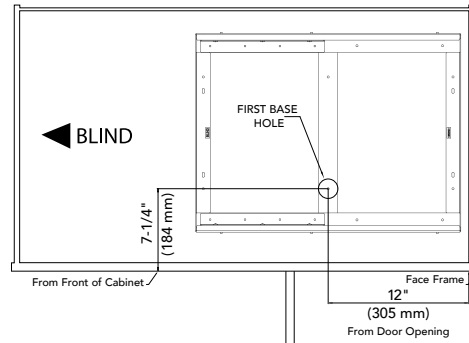
Install the Feet (C) to the Frame (B), orient the arrows on the Feet (C) and Frame (B) in the same direction and secure using (8) M6 x 10 mm Wafer Head Screws (G) (See Fig. 4).

Note: Stickers on the Feet (C) that says "Blind" and "Door". Ensure stickers face the correct way.



Fig. 1

53PSPE-15



53PSPE-18

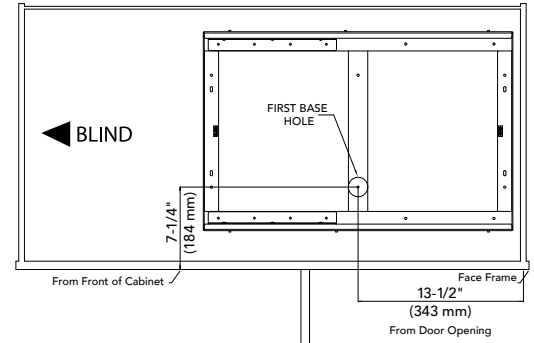


Fig. 2

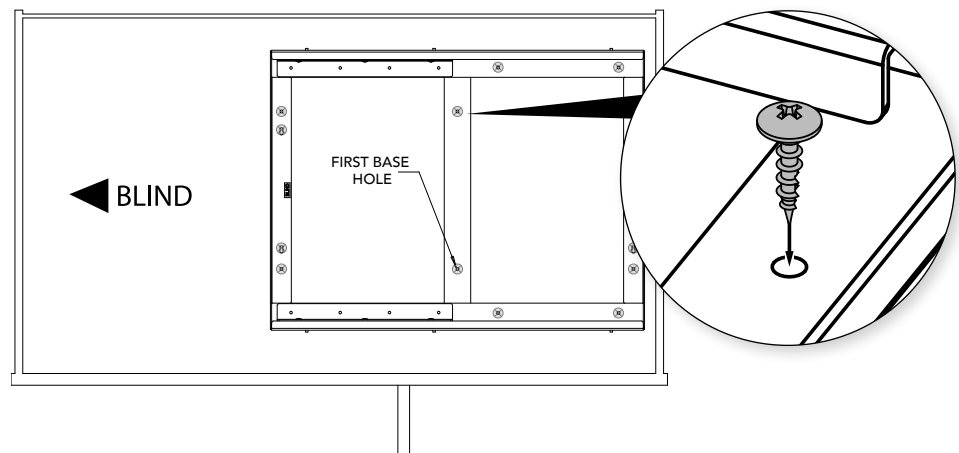


Fig. 3

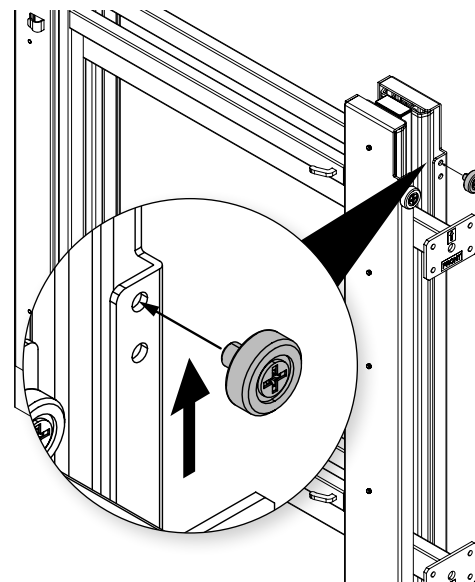
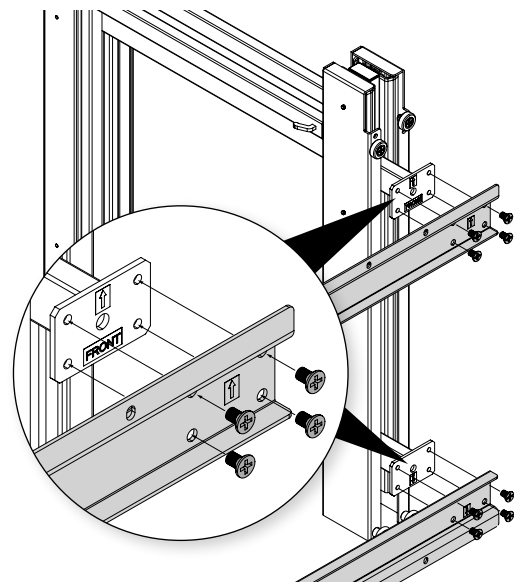


Fig. 4



STEP 4

Move the Base (A) slides to the opening. Set Frame (B) on top of Base (A) inside of the cabinet.

Secure the Feet (C) to the Base (A) using (6) M5 x 6 mm Flat Head Screws (H) (See Fig. 5).

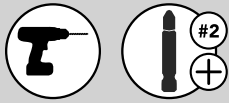
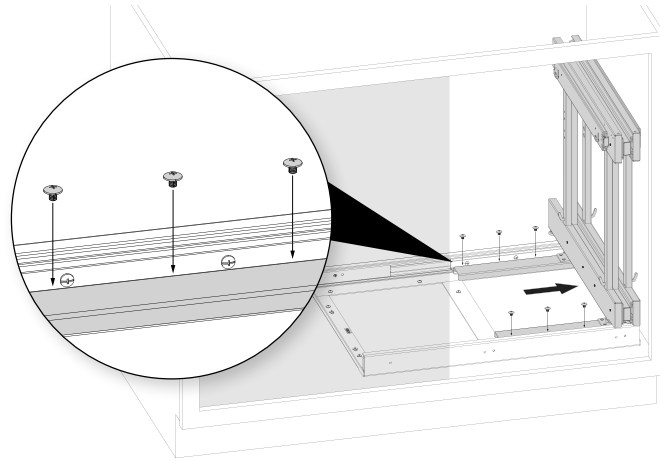


Fig. 5



STEP 5

Extend top rails of the Frame (B). Attach the Handles (F) to the first handle hole in Frame (B) with (1) M4 Truss Head Phillips/Slotted Screws (O) each (See Fig. 6).



Fig. 6

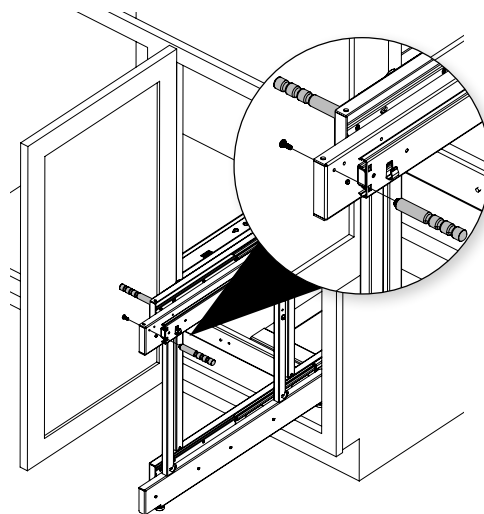
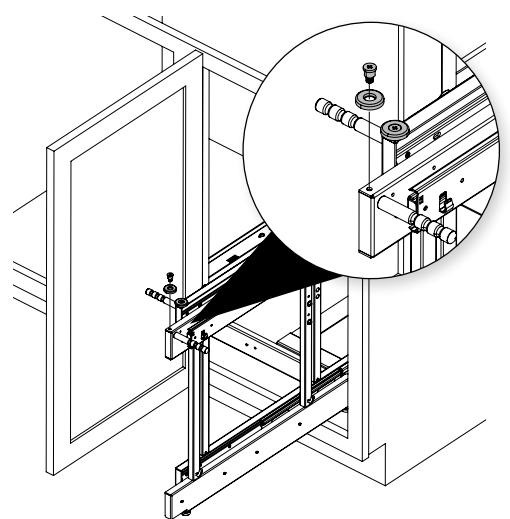


Fig. 7



STEP 6

With top rails extended, attach Top Wheels (K) using Shoulder Bolts (J) in the top of the Frame (B) (See Fig. 7).



Fig. 8A

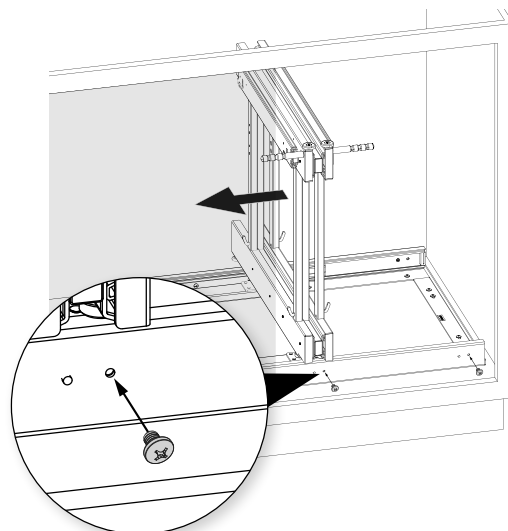
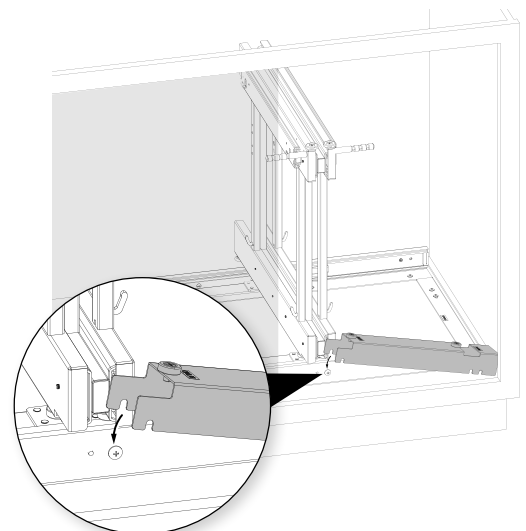


Fig. 8B



Slide frame to the Blind portion of the Cabinet.

Pre-start (2) M5 x 6 mm Pan Head Screws (H) into the front of the Base (A) (See Fig. 8A).

Then, hook the Guide Channel (D) onto the screws on the front of the frame (See Fig. 8B).

Once in place, tighten the M5 x 6 mm Pan Head Screws (H).



STEP 8

Attach the Support Arms (L) using (2) M5 Phillips Round Washer Head Screws (N) each (See Fig. 9).

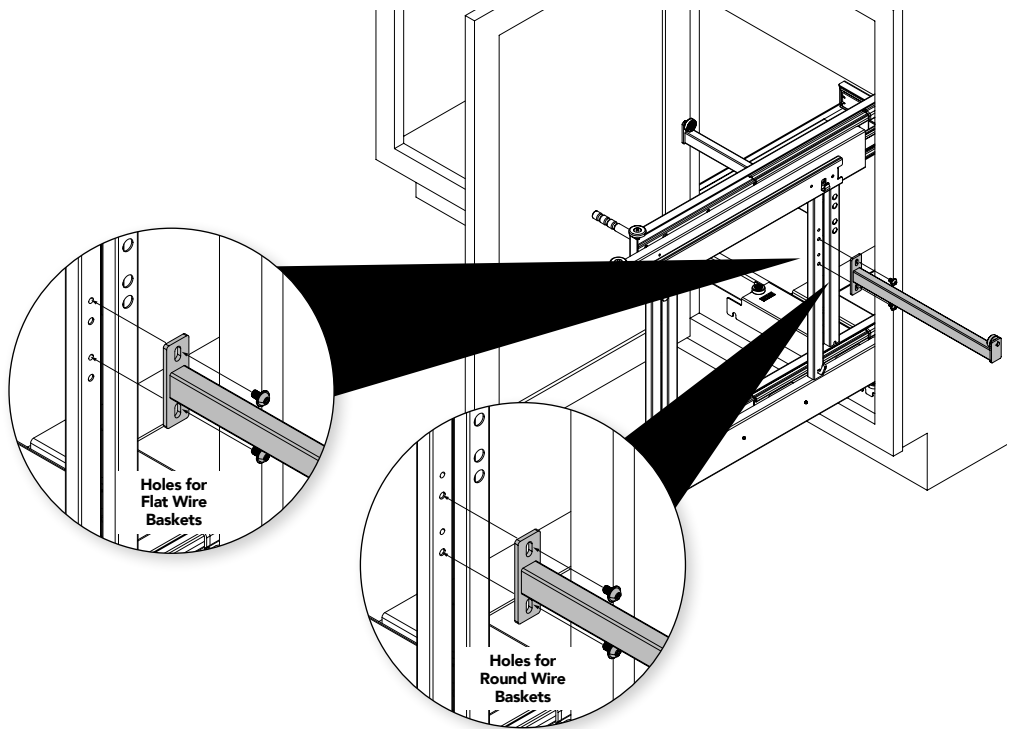
Support Arms (L) for the **Round Wire Baskets (E)** should be installed using the bottom two arm holes.

Support Arms (L) for the **Flat Wire Baskets (E)** should be installed using the top two arm holes.

Note: Support Arms (L) can be adjusted up or down to level the supported shelf.



Fig. 9



STEP 9

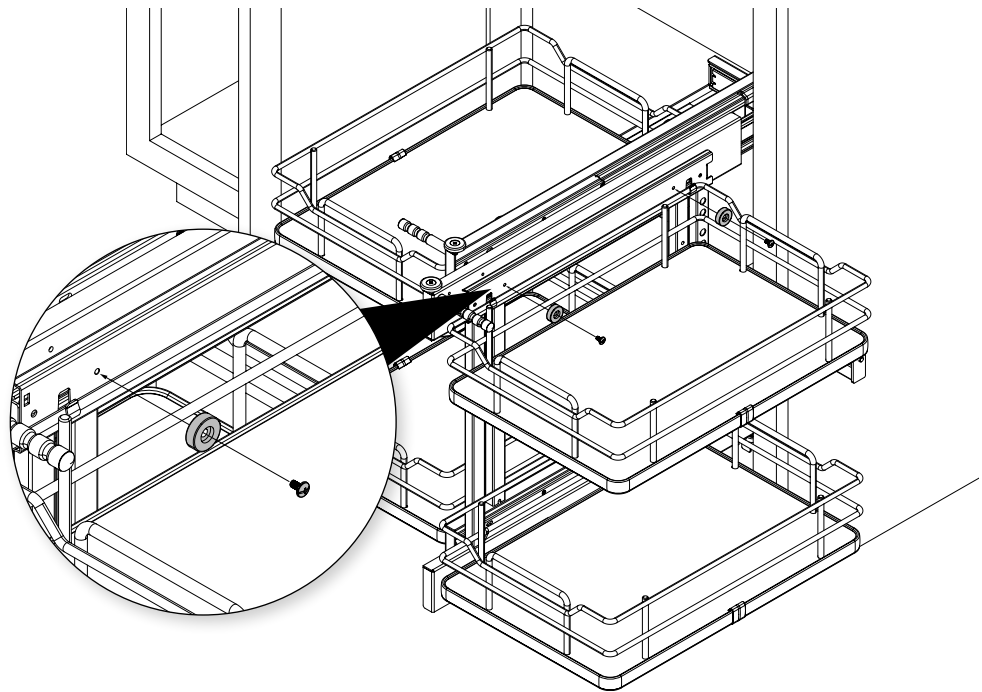
Attach Solid Bottom Trays (E) by securing them on the on hooks directly behind the first vertical wire.

Note: For the three-tier units, secure the middle tier Solid Bottom Trays (E) by the middle wires.

Secure the top (and middle if applicable) Solid Bottom Trays (E) to the Frame (B) using (2) Shelf Retainers (M) and (2) M4 Truss Head Phillips/Slotted Screws (O) (See Fig. 10).



Fig. 10





12400 Earl Jones Way
Louisville, KY 40299
rev-a-shelf.com
Customer Service: 800-626-1126