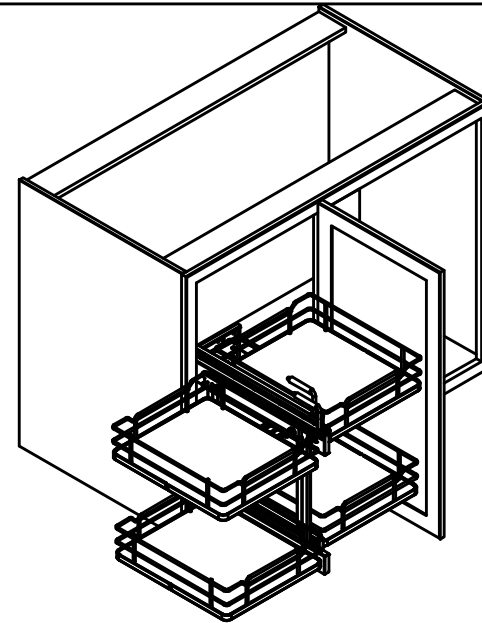
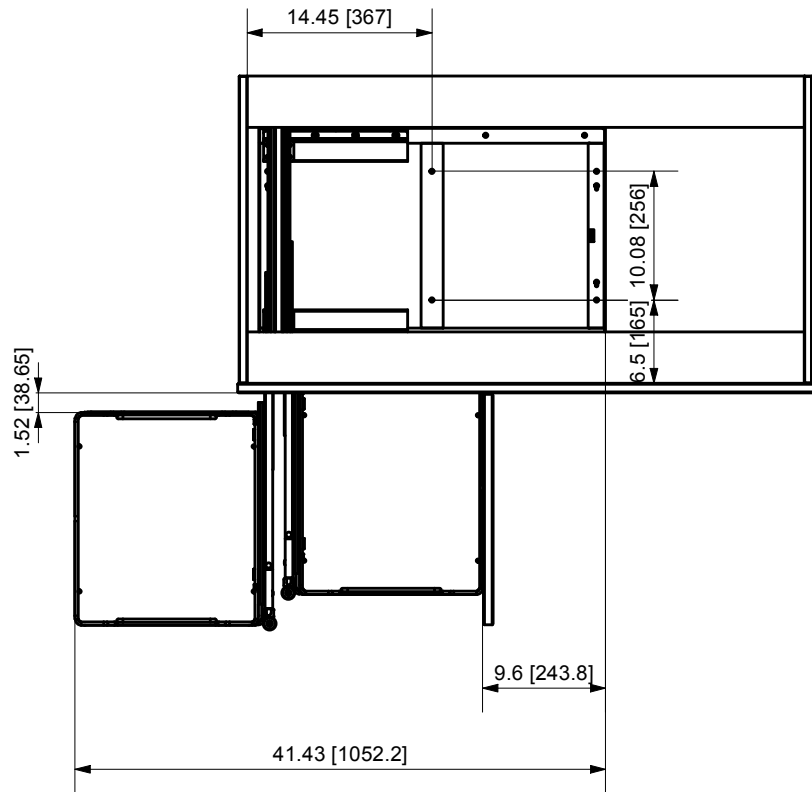


This drawing is the property of Rev-A-Shelf (RAS) and is disclosed in confidence to the extent its subject matter is original to RAS. Any vendor receiving this drawing from RAS shall hold and use this drawing for the sole benefit of RAS and shall not disclose it to, or use or reproduce it for any third party, or perform any act adverse to the interest of RAS with respect to this drawing without the express written permission of RAS. Vendors shall not revise any physical, dimensional or performance characteristic unless authorized by Rev-A-Shelf Engineering.

REV.	DATE	BY	DESCRIPTION OF CHANGE

AMERICAN PROJECTION		BY	DATE	REV-A-SHELF, INC.	
INCH [MM]	DRAWN	23.08.28		SIZE	Blind Corner Optimizer With Soft-Closing
TOLERANCES (WOOD) .XX ± .03 [.8mm] (OTHER) .XX ± .02 [.5mm] (ALL) .XXX ± .005 [.13 mm] FRACTIONS ± 1/32 [.8 mm]		MATERIAL	DRAWING NO.	SCALE	
ANGLES ± 1/2°		FINISH	PART NO.	1:10	
			PSP-18-SC-NB-EL	SHEET OF	2

CUSTOMER DRAWING



PART DIMENSIONS		
	MIN	MAX
WIDTH	32.54[826.4]	41.43[1052.2]
DEPTH	20.4[518.2]	39.85[1012.2]
HEIGHT	23.66[601]	23.66[601]
WEIGHT		
DIAMETER		
RADIUS		
CONTAINER CAPACITY		
CONTAINER UOM		

MIN CABINET OPENING	
WIDTH	
DEPTH	
HEIGHT	

PRODUCT MAX WEIGHT RATING

SLIDE SPECIFICATIONS				
SLIDE TYPE	HEAVY DUTY	SLIDE EXTENSION	19.69 [500]	MAX WEIGHT RATING
SLIDE CLOSING	SOFT CLOSE	SLIDE LENGTH	19.76 [502]	
SLIDE MOUNTING	FLOOR	SLIDE FINISH	ZINC	70LB

CUSTOMER DRAWING

This drawing is the property of Rev-A-Shelf (RAS) and is disclosed in confidence to the extent its subject matter is original to RAS. Any vendor receiving this drawing from RAS shall hold and use this drawing for the sole benefit of RAS and shall not disclose it to, or use or reproduce it for any third party, or perform any act adverse to the interest of RAS with respect to this drawing without the express written permission of RAS. Vendors shall not revise any physical, dimensional or performance characteristic unless authorized by Rev-A-Shelf Engineering.

REV.	DATE	BY	DESCRIPTION OF CHANGE

INCH [MM]	AMERICAN PROJECTION	BY	DATE	REV-A-SHELF, INC.
		DRAWN	23.08.28	
MATERIAL				SIZE B
FINISH				DRAWING NO.
MAT. (WOOD) .XX ±.03 [.8mm] (OTHER) .XX ±.02 [.5mm] (ALL) .XXX ±.005 [.13 mm] FRACTIONS ± 1/32 [.8 mm]				SCALE 1:17
TOLERANCES DEC. ANGLES ± 1/2				SHEET OF 2 2
PART NO. PSP-18-SC-NB-EL				